

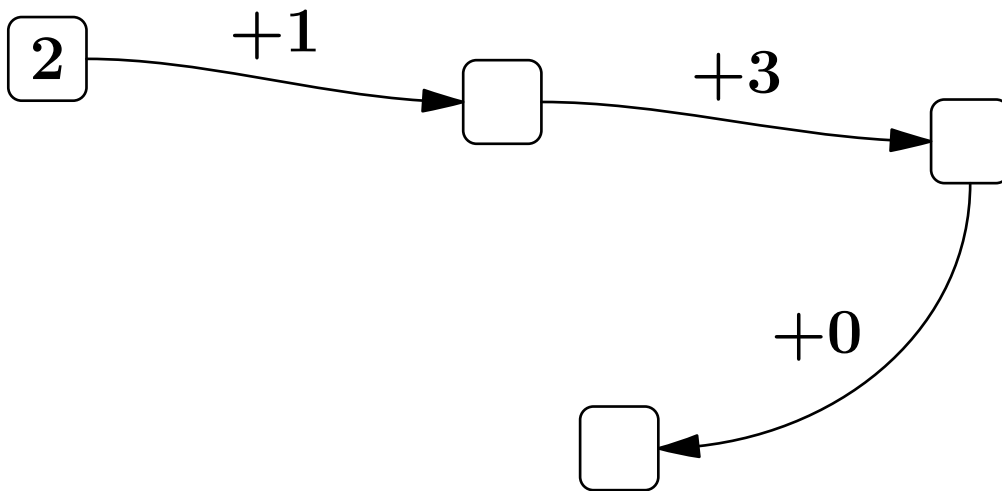
Number snakes

Naturally and integrally

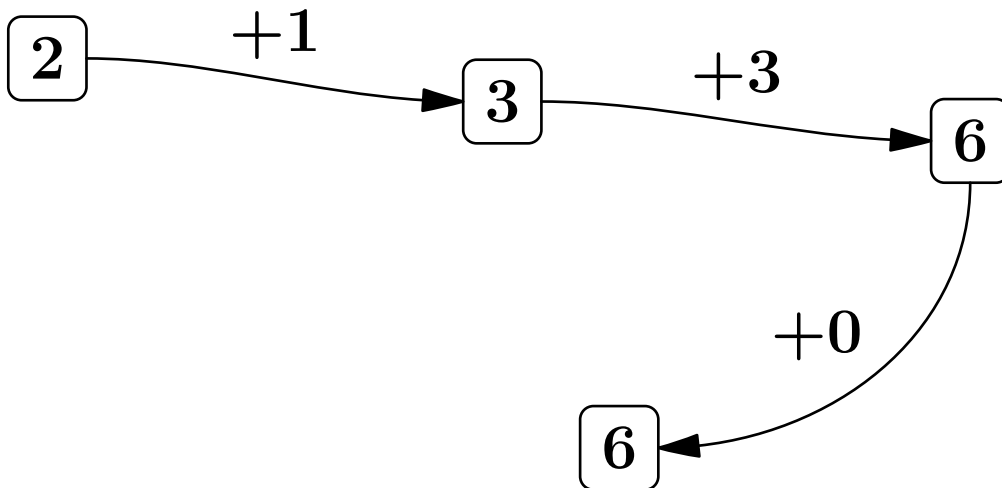
Ssssss...

1 Problem – Number snake, addition, 0–10

In the following number snake a number in each box except the first one must be equal to the number from the previous box modified in accordance with the description at the arrow. Enter the appropriate numbers in the empty boxes.

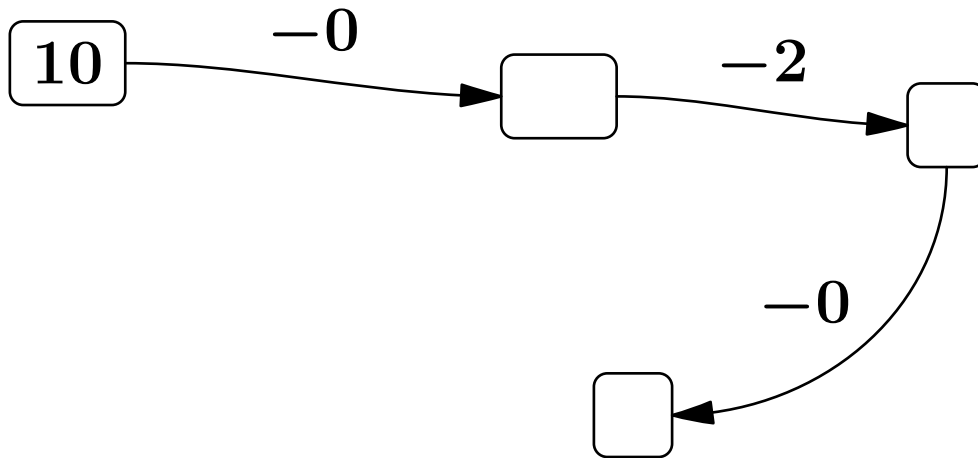


Answer:

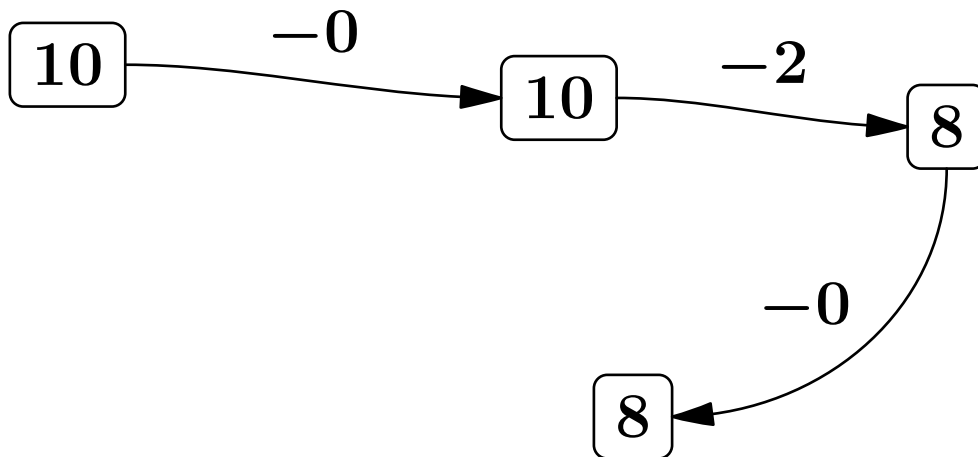


2 Problem – Number snake, subtraction, 0–10

In the following number snake a number in each box except the first one must be equal to the number from the previous box modified in accordance with the description at the arrow. Enter the appropriate numbers in the empty boxes.

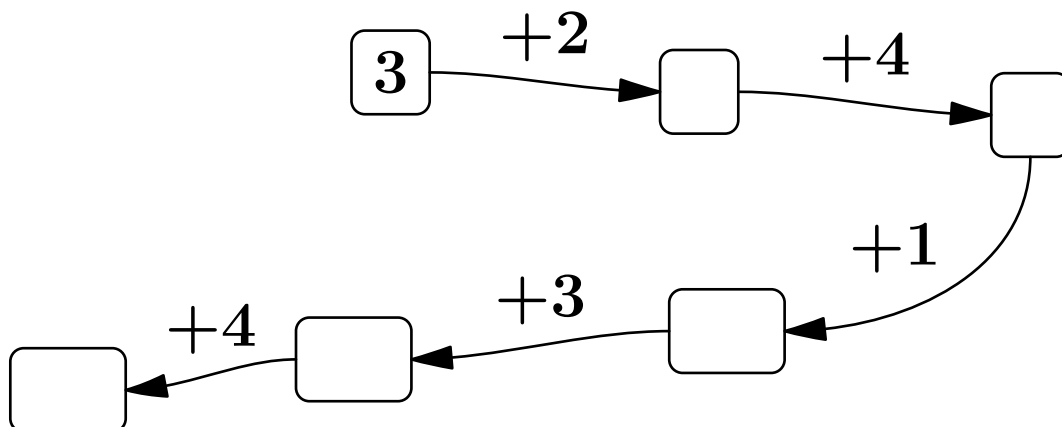


Answer:

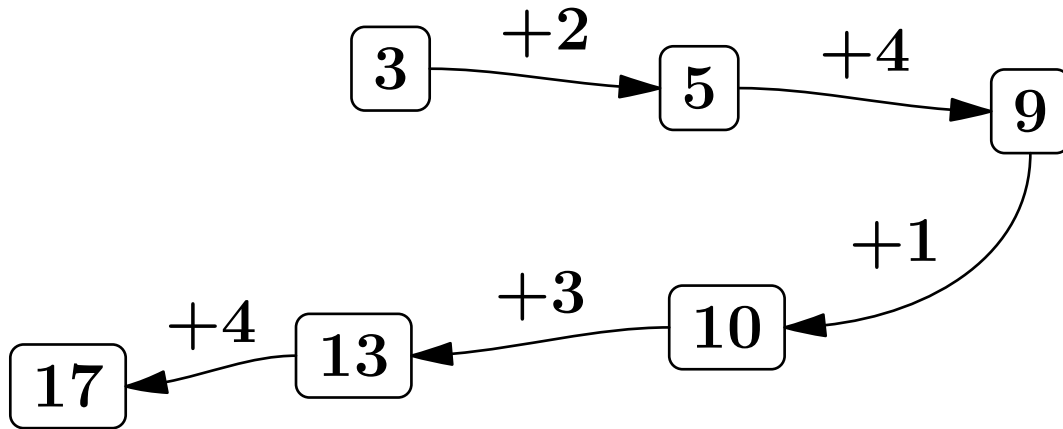


3 Problem – Number snake, addition 0–4, 0–20

In the following number snake a number in each box except the first one must be equal to the number from the previous box modified in accordance with the description at the arrow. Enter the appropriate numbers in the empty boxes.

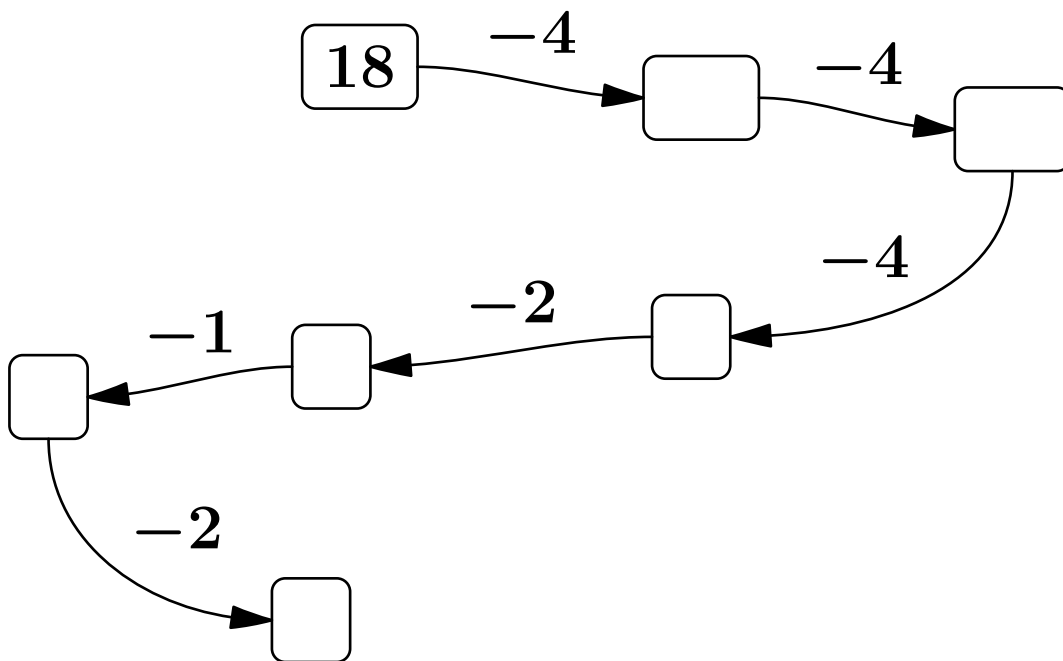


Answer:

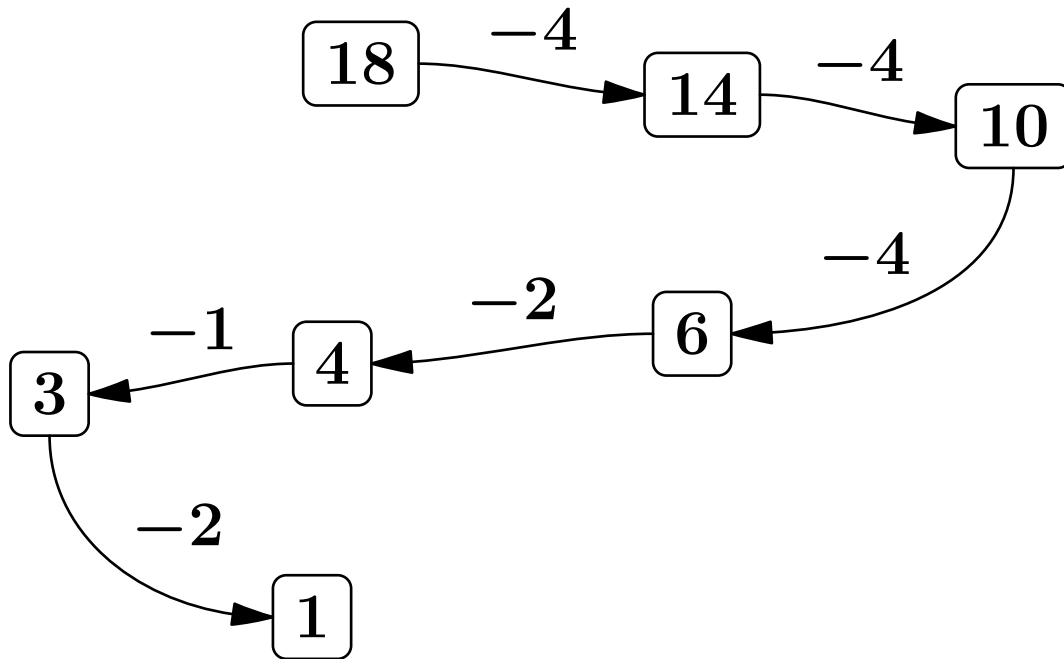


4 Problem – Number snake, subtraction 0–4, 0–20

In the following number snake a number in each box except the first one must be equal to the number from the previous box modified in accordance with the description at the arrow. Enter the appropriate numbers in the empty boxes.

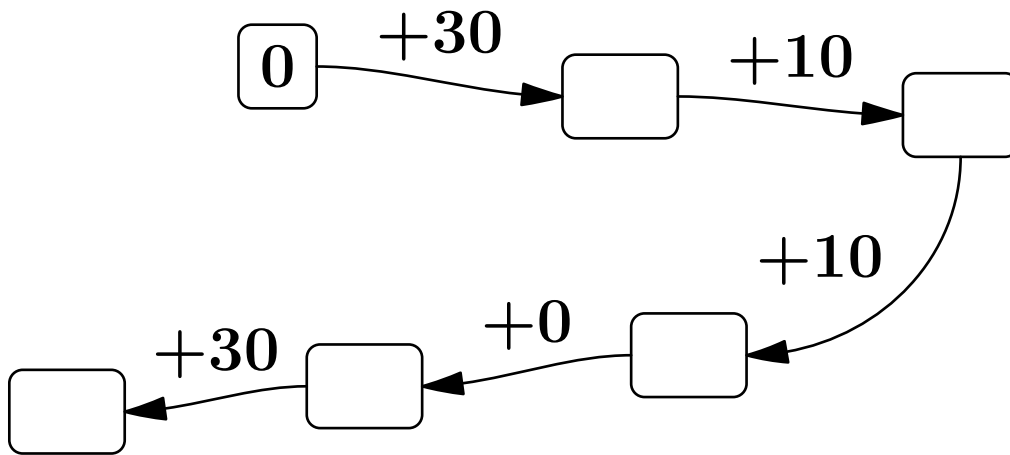


Answer:

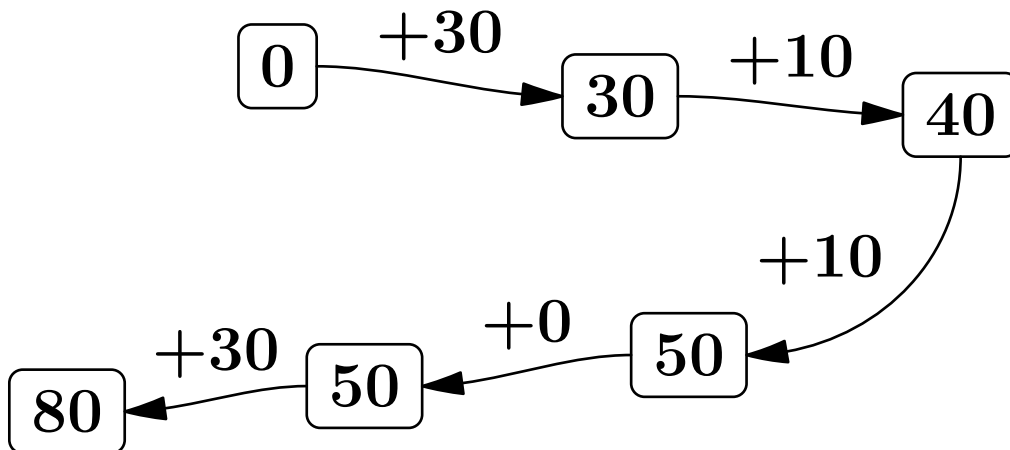


5 Problem – Number snake, addition of multiples of 10, 0–100

In the following number snake a number in each box except the first one must be equal to the number from the previous box modified in accordance with the description at the arrow. Enter the appropriate numbers in the empty boxes.

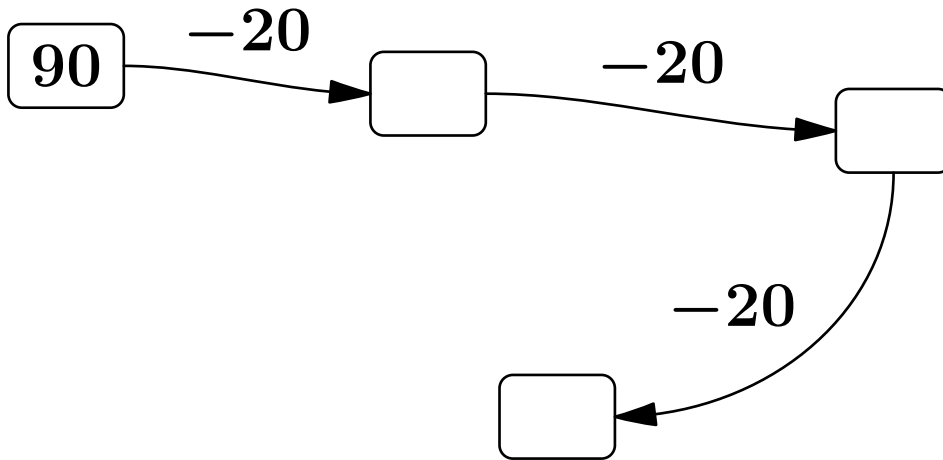


Answer:

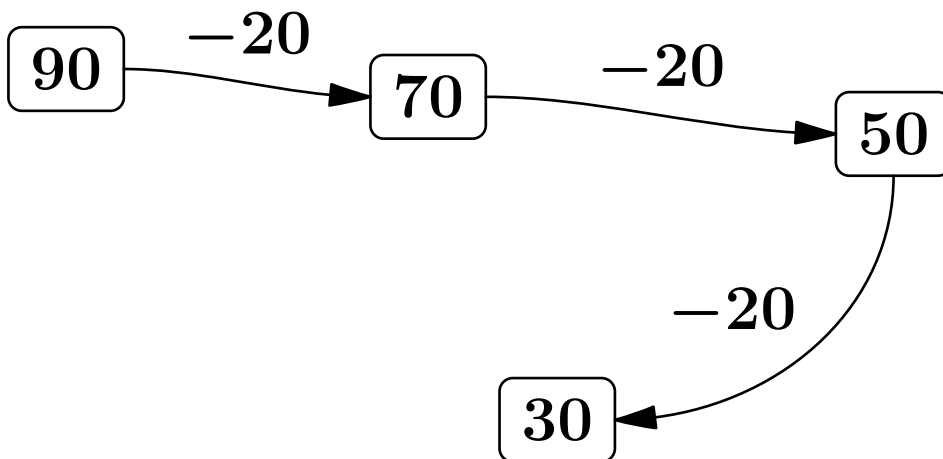


6 Problem – Number snake, subtraction of multiples of 10, 0–100

In the following number snake a number in each box except the first one must be equal to the number from the previous box modified in accordance with the description at the arrow. Enter the appropriate numbers in the empty boxes.

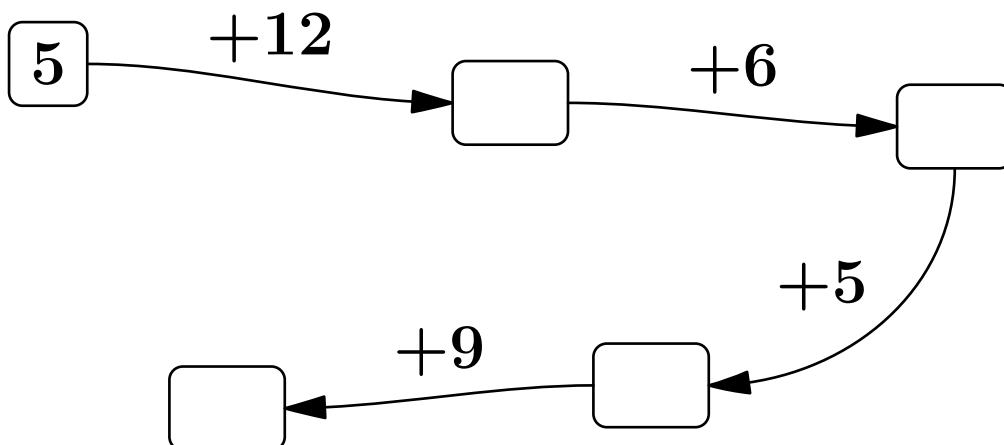


Answer:

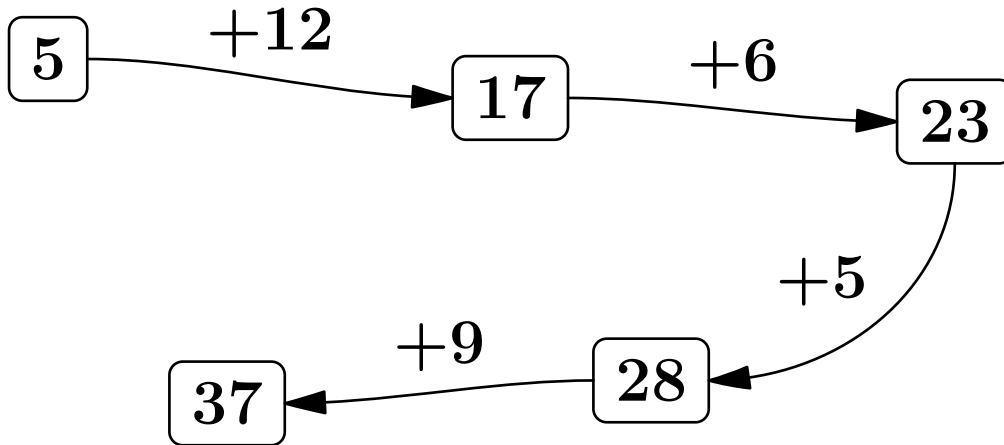


7 Problem – Number snake, addition 5–12, 0–45

In the following number snake a number in each box except the first one must be equal to the number from the previous box modified in accordance with the description at the arrow. Enter the appropriate numbers in the empty boxes.

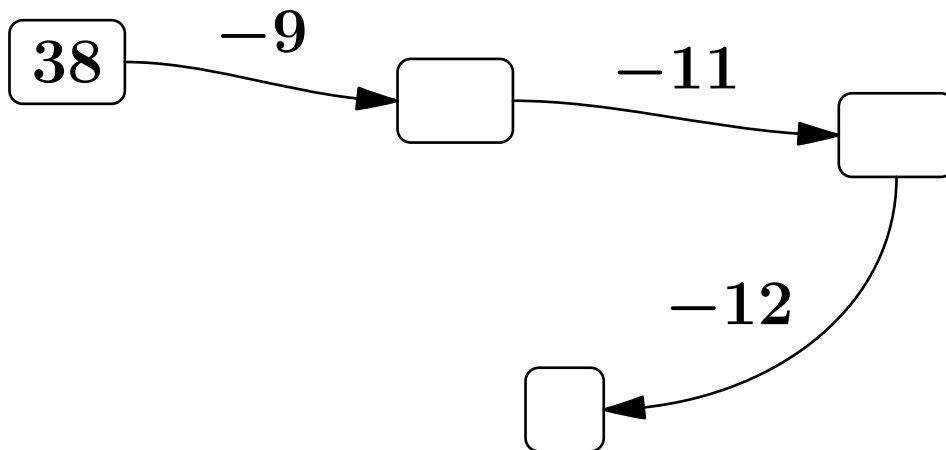


Answer:

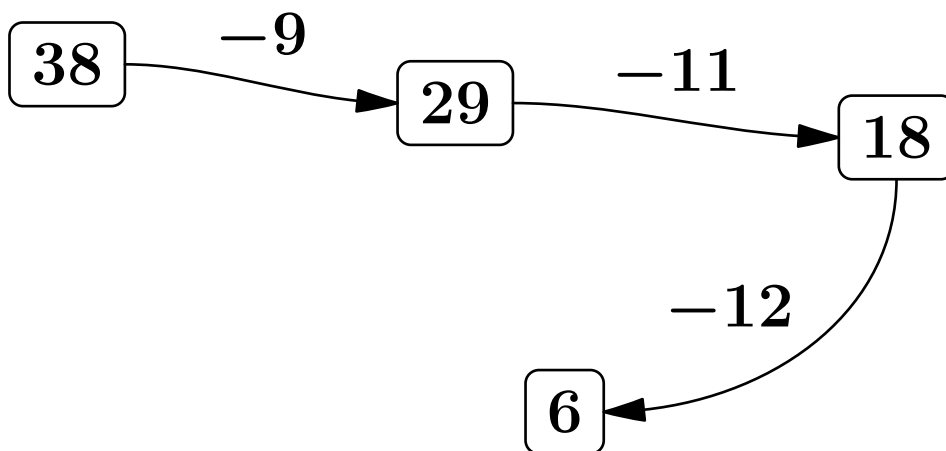


8 Problem – Number snake, subtraction 5–12, 0–45

In the following number snake a number in each box except the first one must be equal to the number from the previous box modified in accordance with the description at the arrow. Enter the appropriate numbers in the empty boxes.

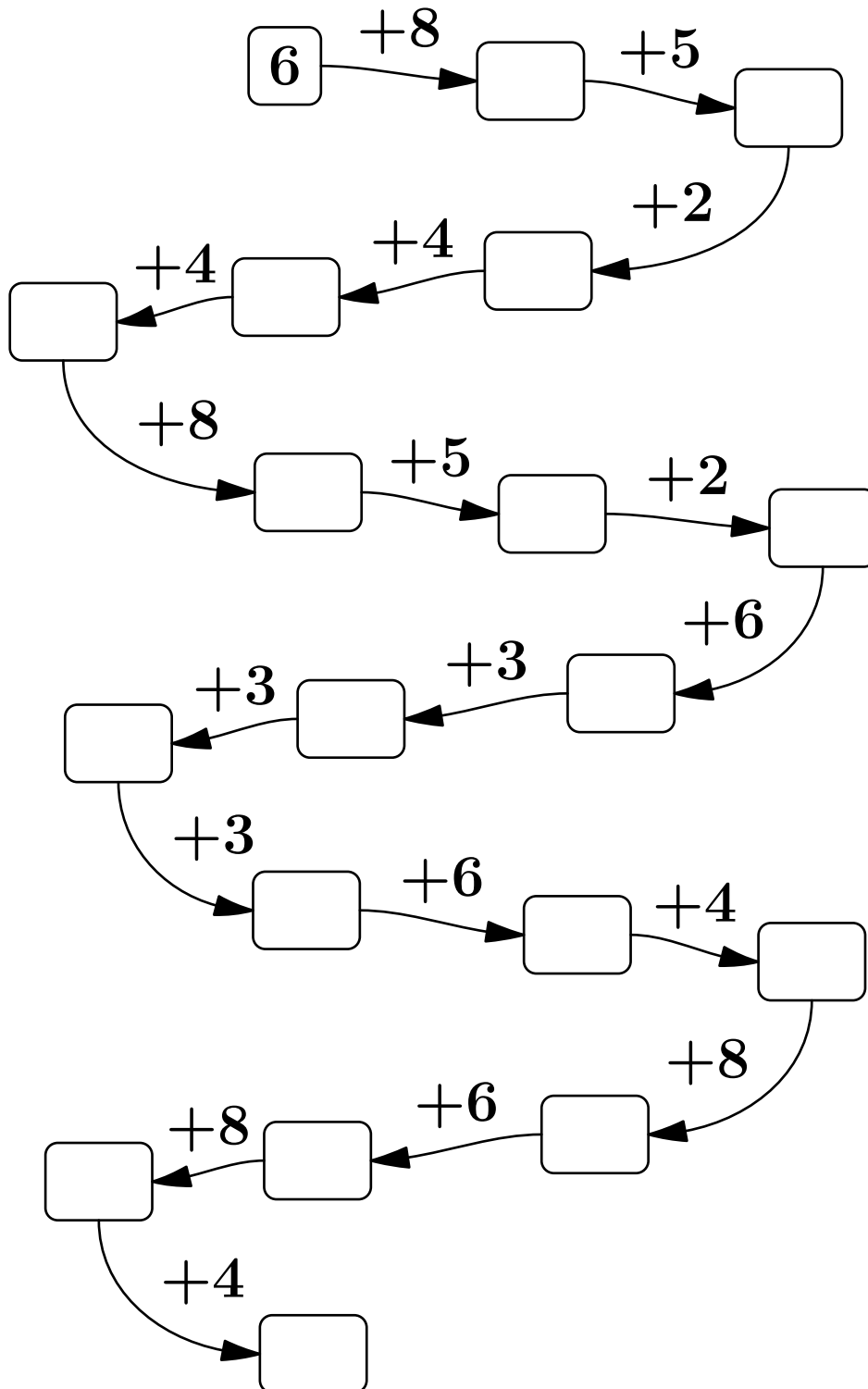


Answer:

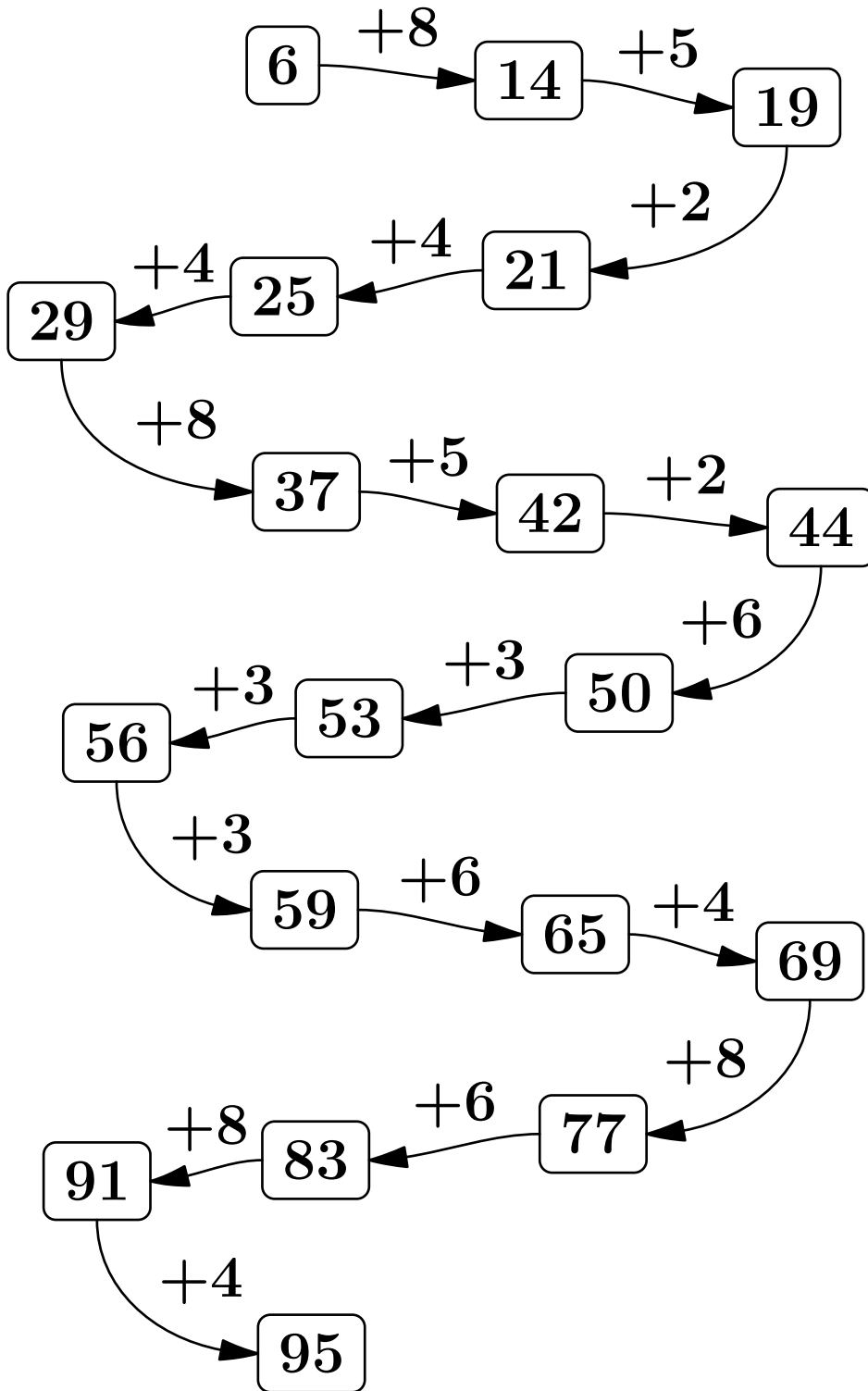


9 Problem – Number snake, addition 2–9, 0–100

In the following number snake a number in each box except the first one must be equal to the number from the previous box modified in accordance with the description at the arrow. Enter the appropriate numbers in the empty boxes.

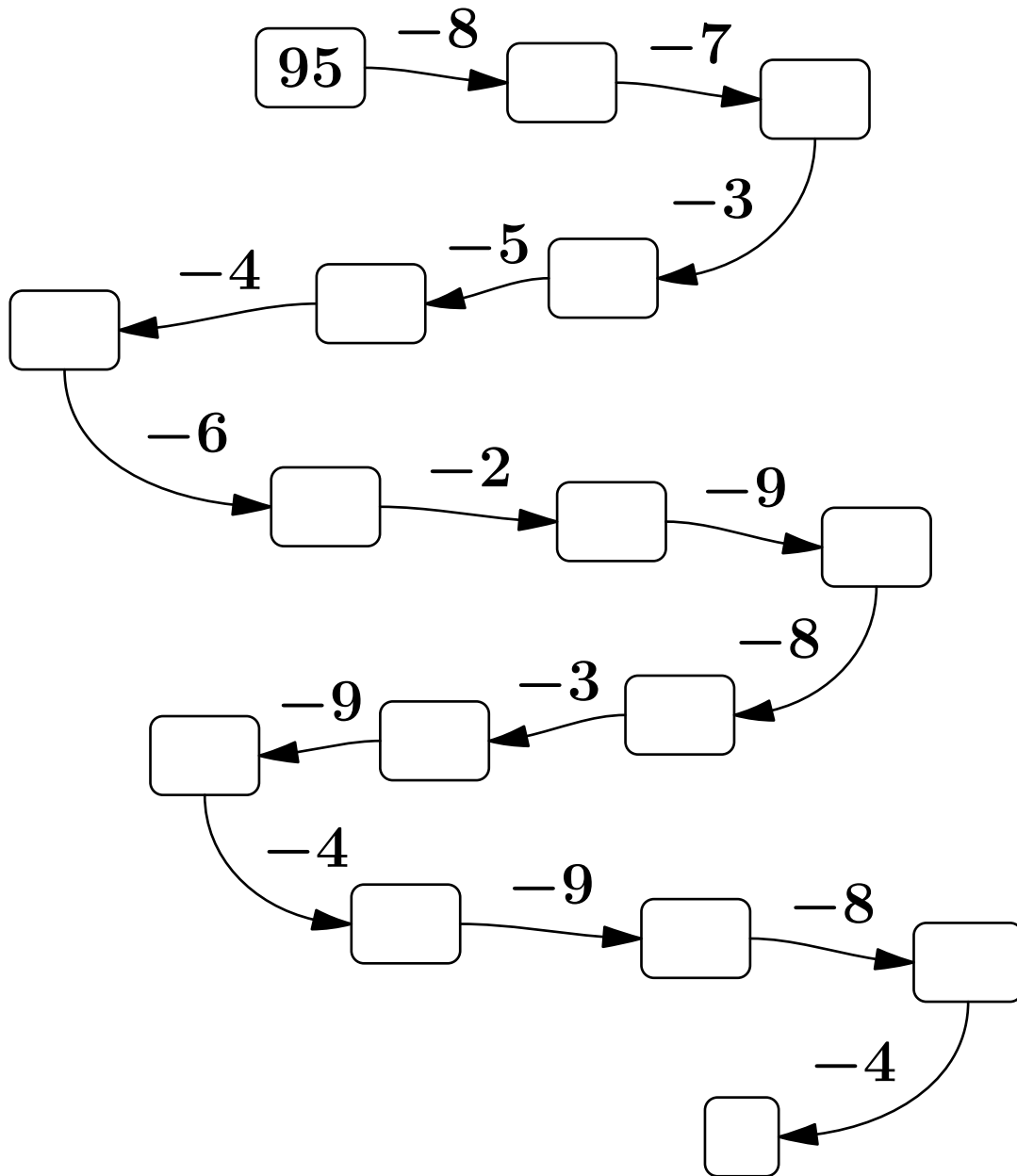


Answer:

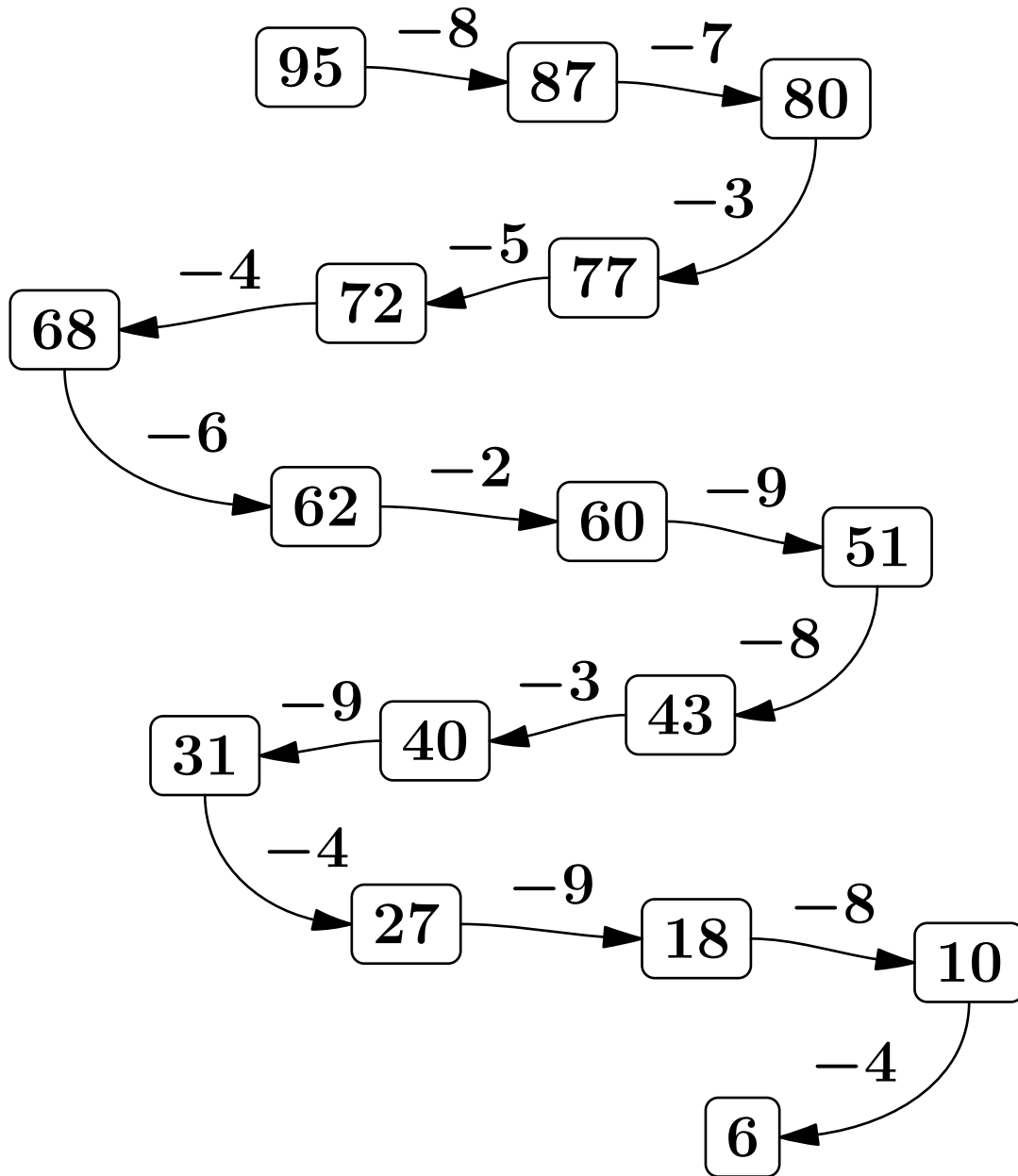


10 Problem – Number snake, subtraction 2–9, 0–100

In the following number snake a number in each box except the first one must be equal to the number from the previous box modified in accordance with the description at the arrow. Enter the appropriate numbers in the empty boxes.

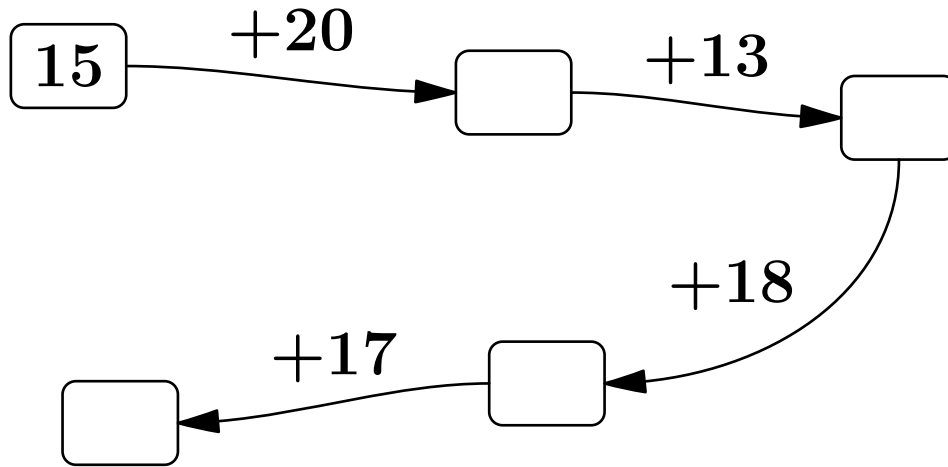


Answer:

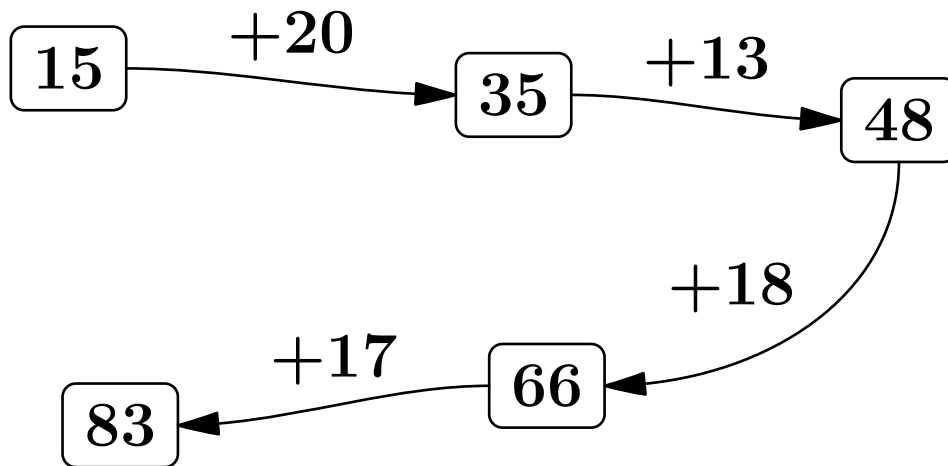


11 Problem – Number snake, addition 5–20, 0–100

In the following number snake a number in each box except the first one must be equal to the number from the previous box modified in accordance with the description at the arrow. Enter the appropriate numbers in the empty boxes.

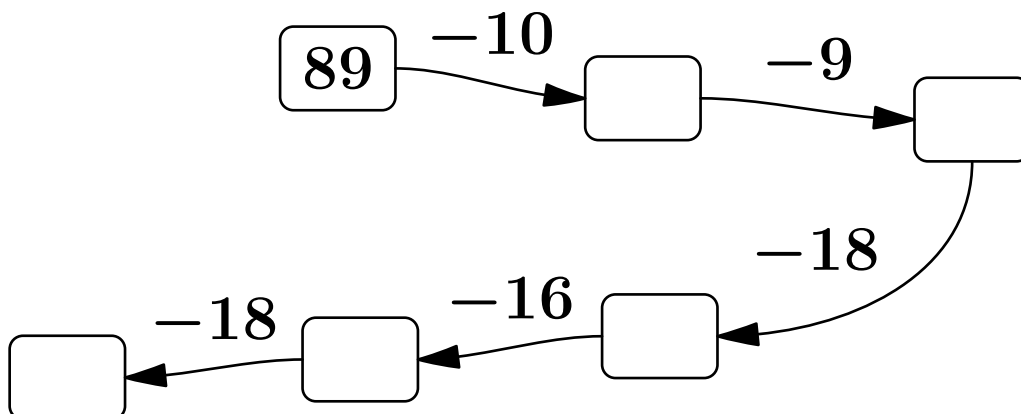


Answer:



12 Problem – Number snake, subtraction 5–20, 0–100

In the following number snake a number in each box except the first one must be equal to the number from the previous box modified in accordance with the description at the arrow. Enter the appropriate numbers in the empty boxes.



Answer:

