

Addition and subtraction for beginners

Plus Minus

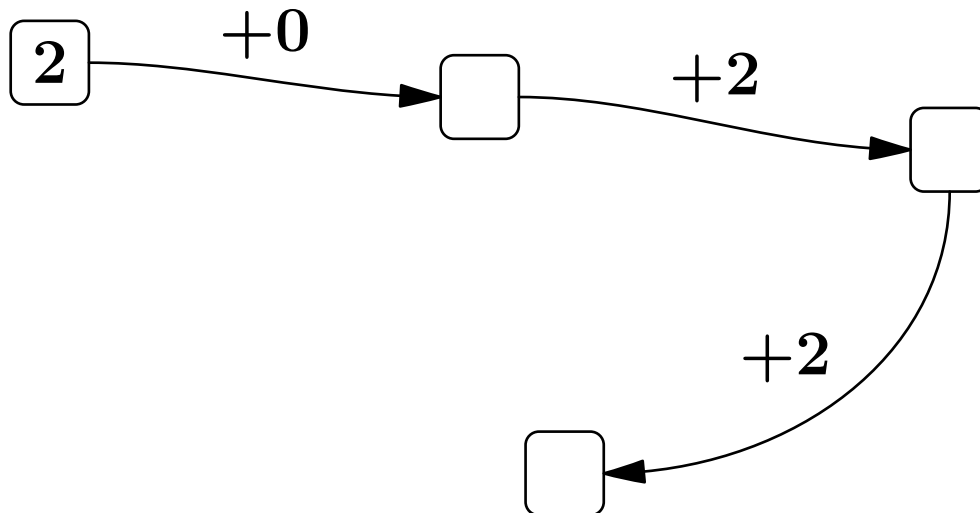
Snakes, triangles and columns.

Addition, or +

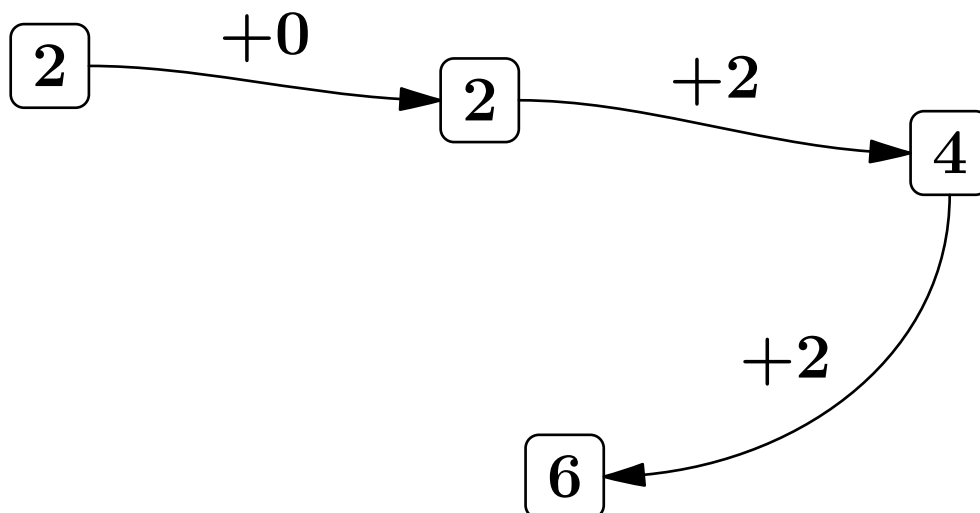
1 Problem – Number snake, addition, 0–10

Piotr Niezurawski, update: 2017-09-02, id: en-numbers-0000100, diff: 1

In the following number snake a number in each box except the first one must be equal to the number from the previous box modified in accordance with the description at the arrow. Enter the appropriate numbers in the empty boxes.



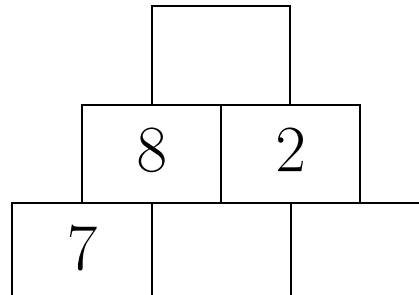
Answer:



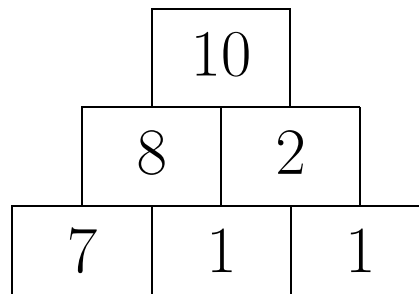
2 Problem – Number triangle, addition, 1–10

Piotr Niezurawski, update: 2017-07-28, id: en-numbers-0000200, diff: 1

In the following number triangle in each rectangle except those in the lowest row there must be a number that is the sum of the numbers from the two nearest rectangles from the lower row. Enter the appropriate numbers in the empty rectangles.



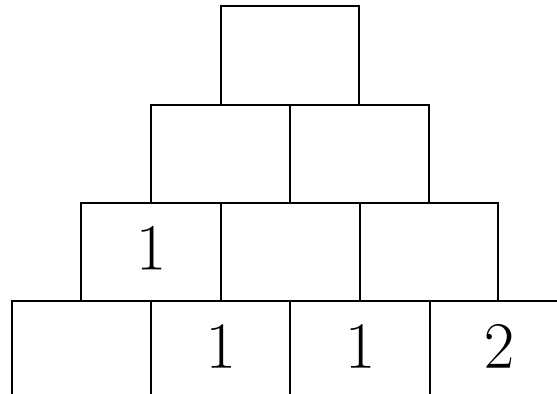
Answer:



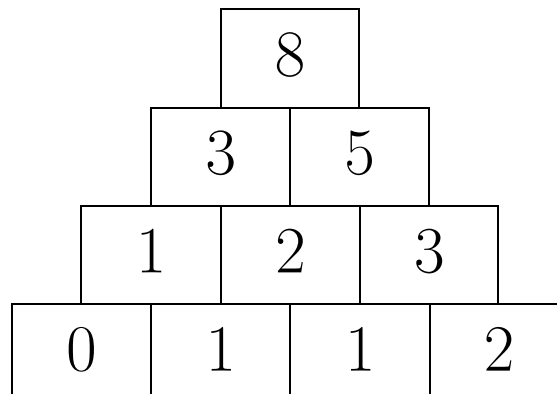
3 Problem – Number triangle, addition, 0–10

Piotr Niezurawski, update: 2017-07-28, id: en-numbers-0000205, diff: 1

In the following number triangle in each rectangle except those in the lowest row there must be a number that is the sum of the numbers from the two nearest rectangles from the lower row. Enter the appropriate numbers in the empty rectangles.



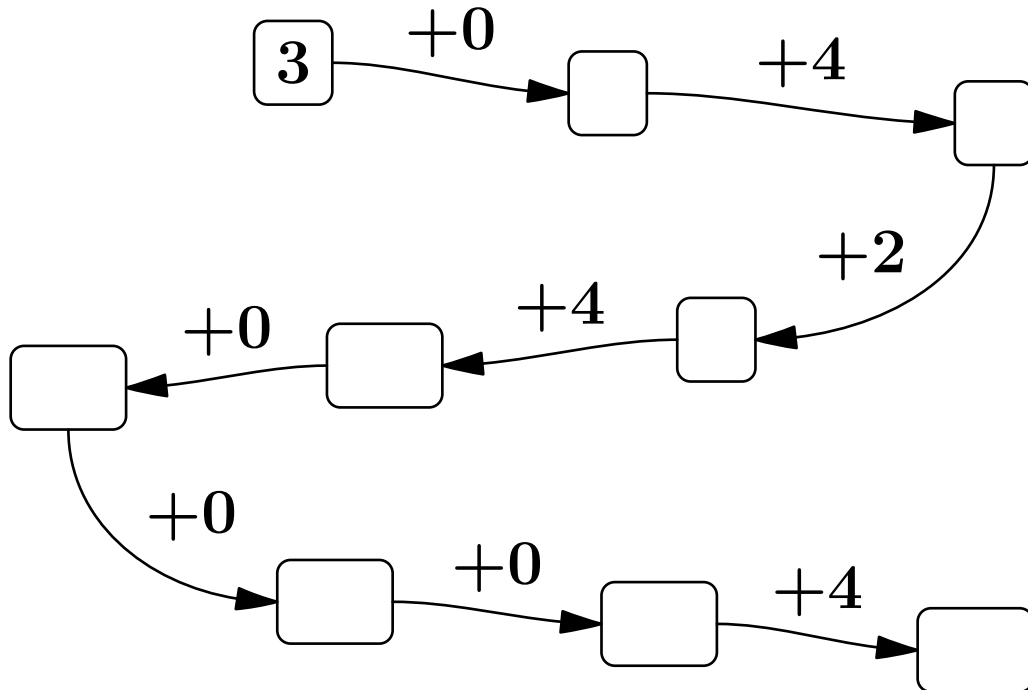
Answer:



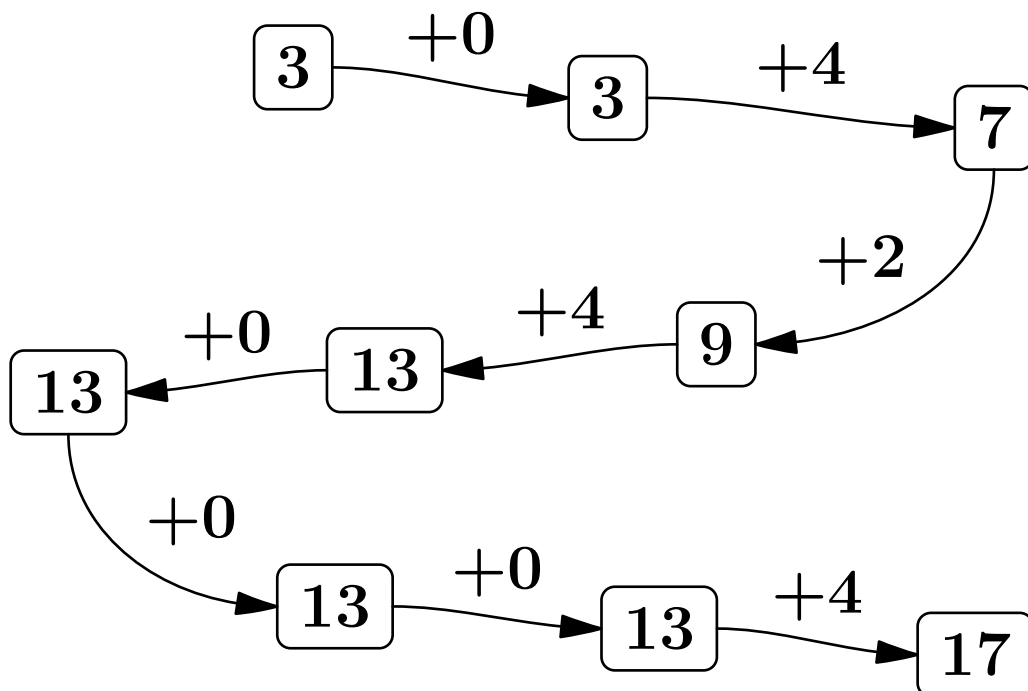
4 Problem – Number snake, addition 0–4, 0–20

Piotr Nieżurawski, update: 2017-09-02, id: en-numbers-0000105, diff: 1

In the following number snake a number in each box except the first one must be equal to the number from the previous box modified in accordance with the description at the arrow. Enter the appropriate numbers in the empty boxes.



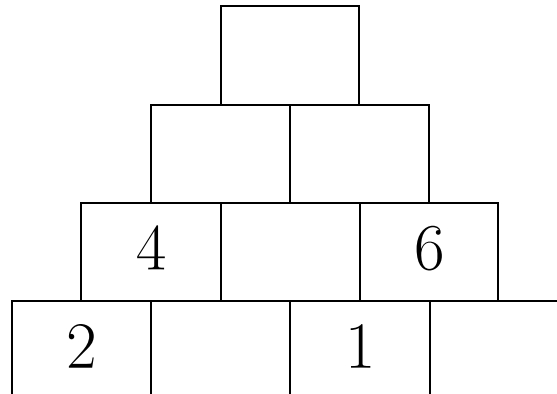
Answer:



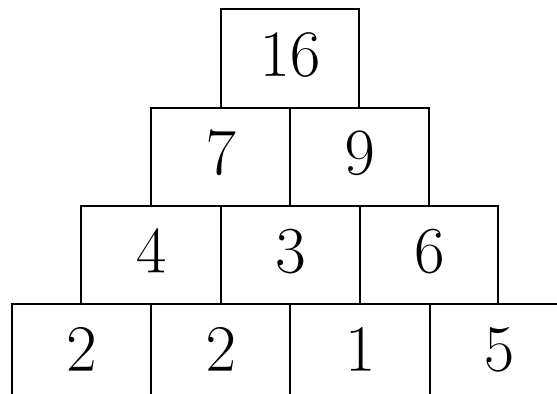
5 Problem – Number triangle, addition, 0–20

Piotr Nieżurawski, update: 2017-07-28, id: en-numbers-0000210, diff: 1

In the following number triangle in each rectangle except those in the lowest row there must be a number that is the sum of the numbers from the two nearest rectangles from the lower row. Enter the appropriate numbers in the empty rectangles.



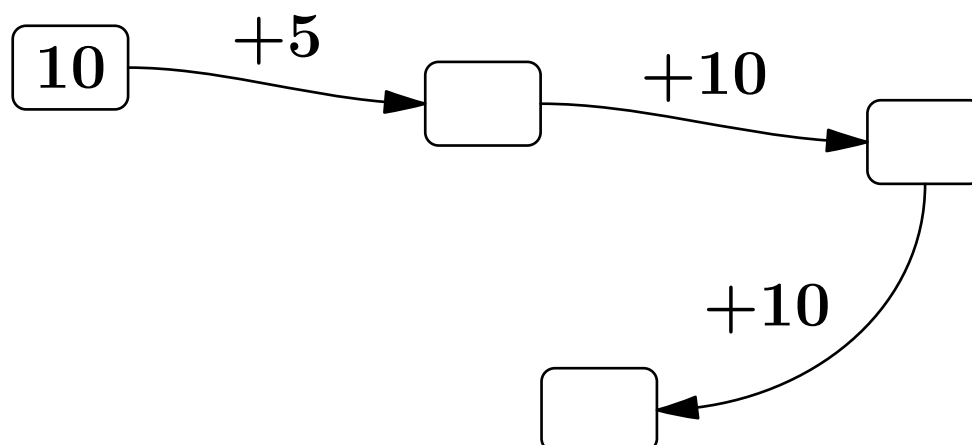
Answer:



6 Problem – Number snake, addition 5–12, 0–45

Piotr Nieżurawski, update: 2017-09-02, id: en-numbers-0000125, diff: 1

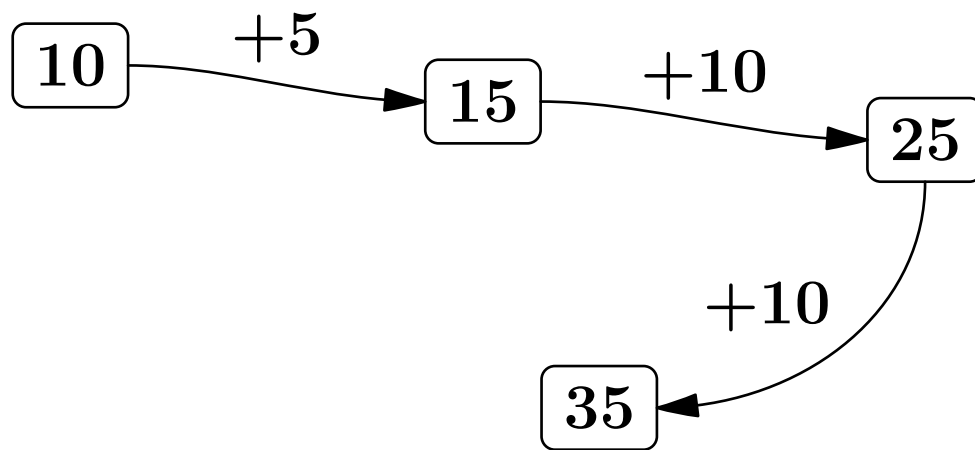
In the following number snake a number in each box except the first one must be equal to the number from the previous box modified in accordance with the description at the arrow. Enter the appropriate numbers in the empty boxes.



Name:

gezmat.com

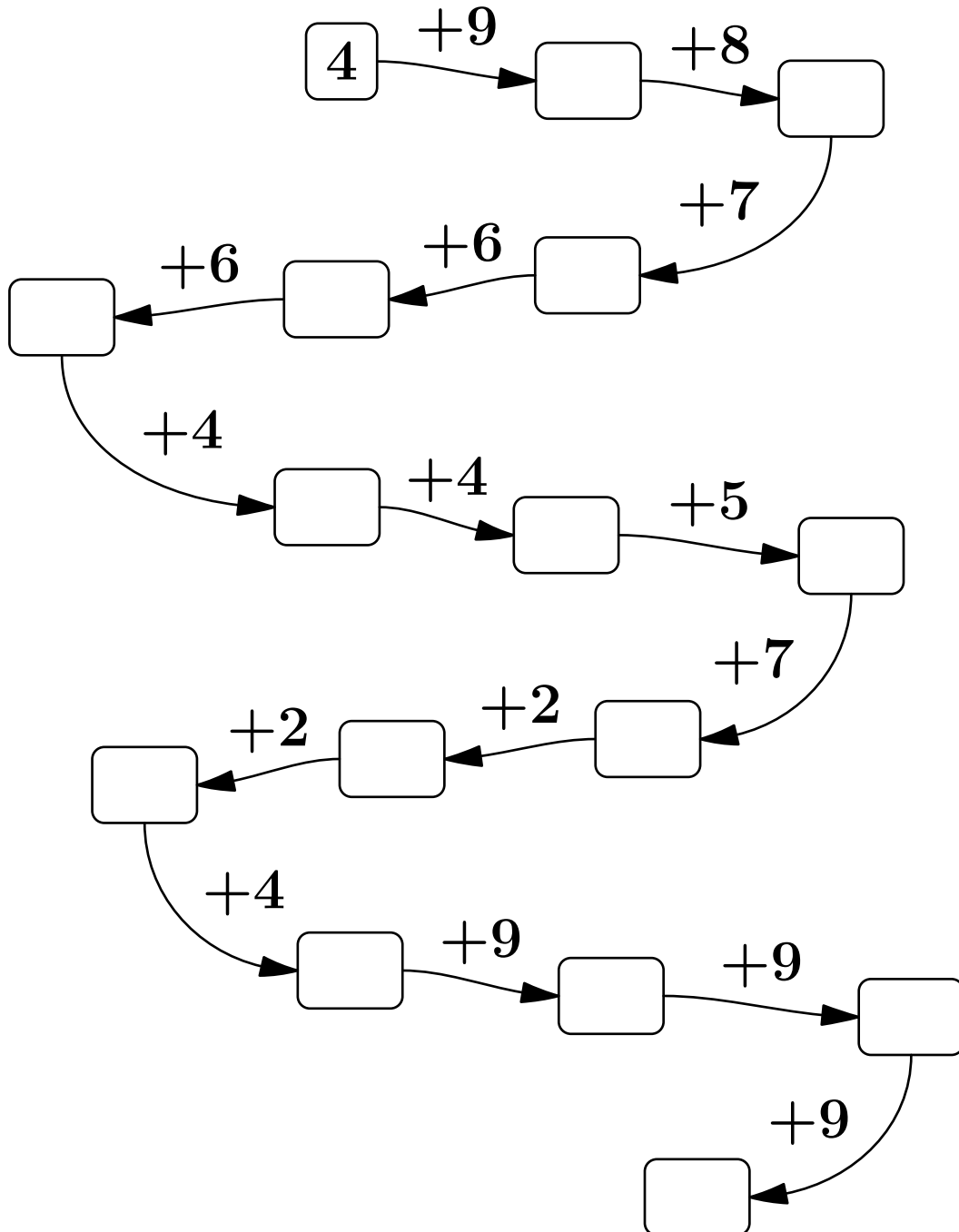
Answer:



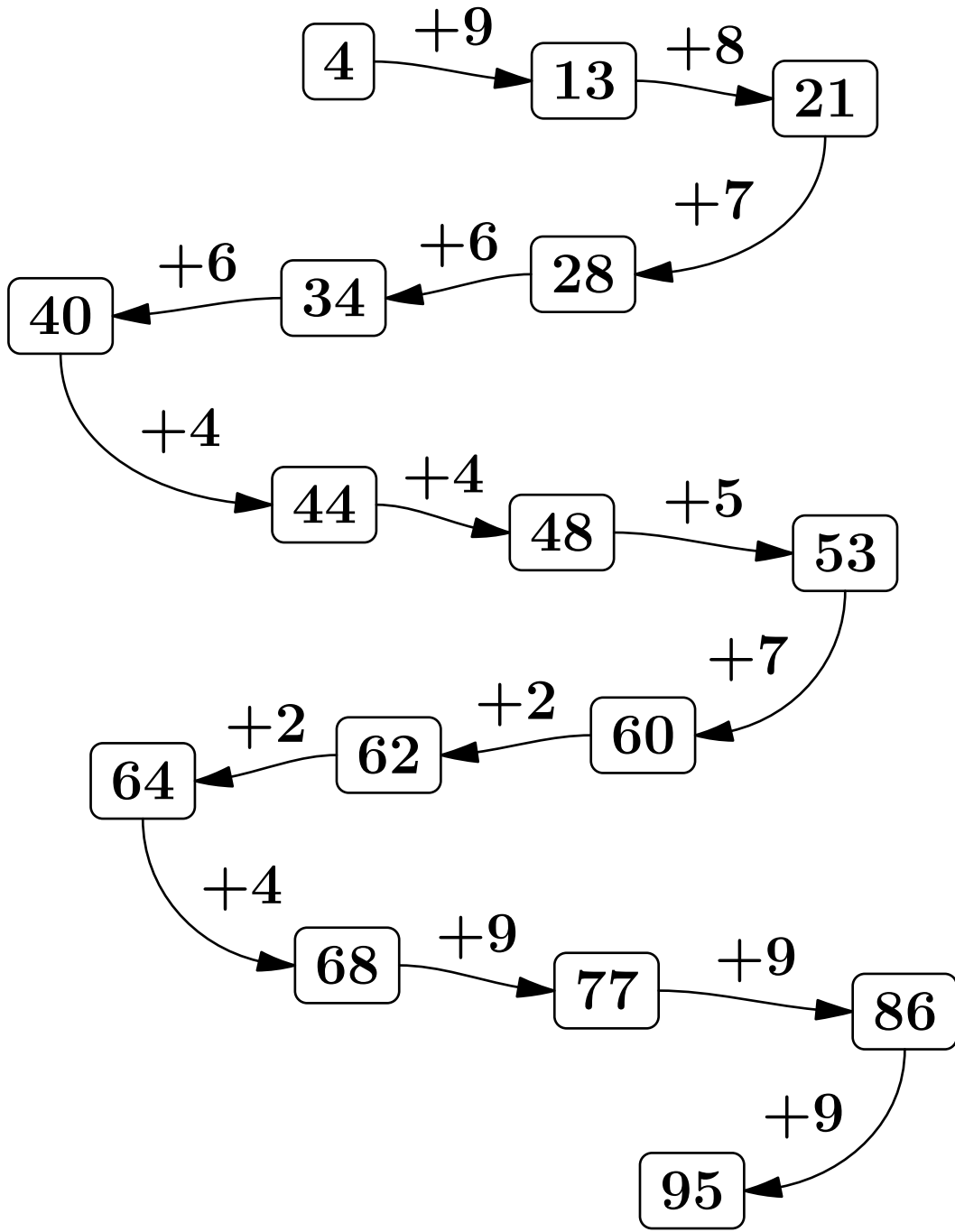
7 Problem – Number snake, addition 2–9, 0–100

Piotr Nieżurawski, update: 2017-09-02, id: en-numbers-0000140, diff: 1

In the following number snake a number in each box except the first one must be equal to the number from the previous box modified in accordance with the description at the arrow. Enter the appropriate numbers in the empty boxes.



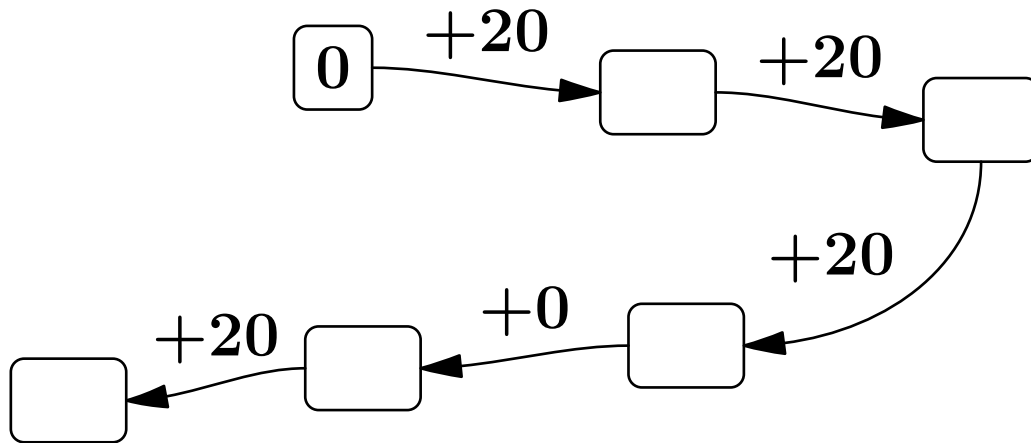
Answer:



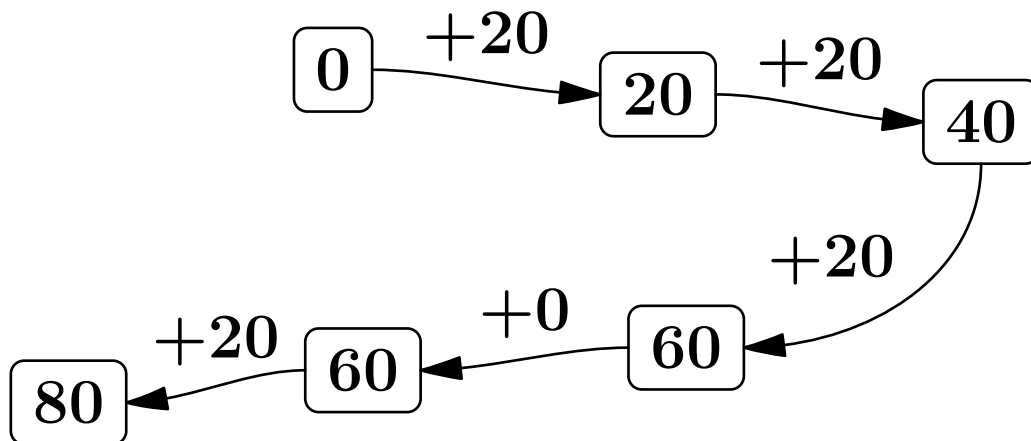
8 Problem – Number snake, addition of multiples of 10, 0–100

Piotr Nieżurawski, update: 2017-07-31, id: en-numbers-0000120, diff: 1

In the following number snake a number in each box except the first one must be equal to the number from the previous box modified in accordance with the description at the arrow. Enter the appropriate numbers in the empty boxes.



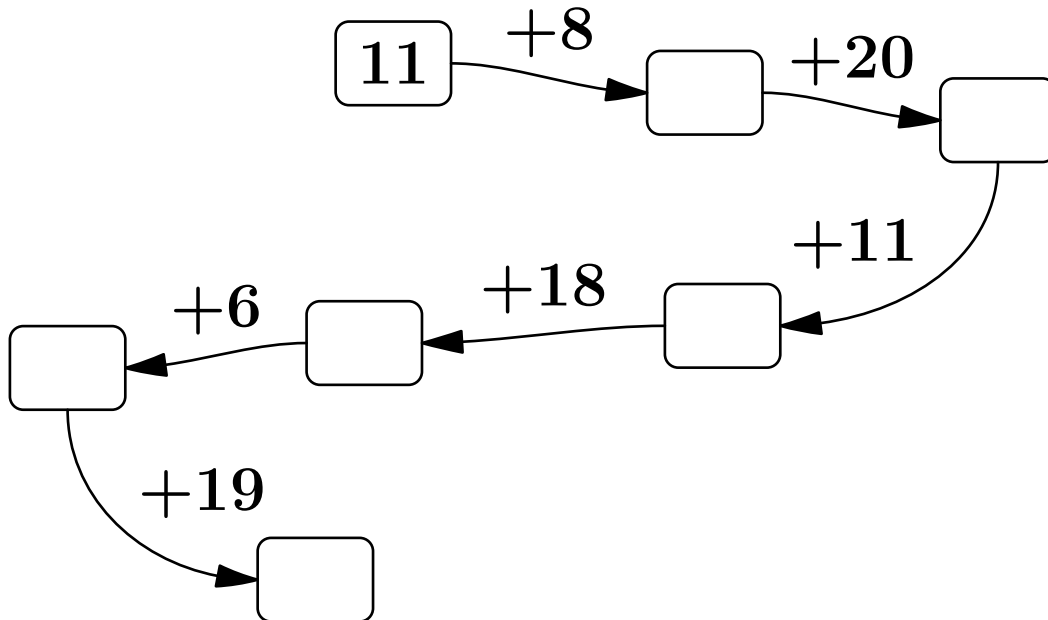
Answer:



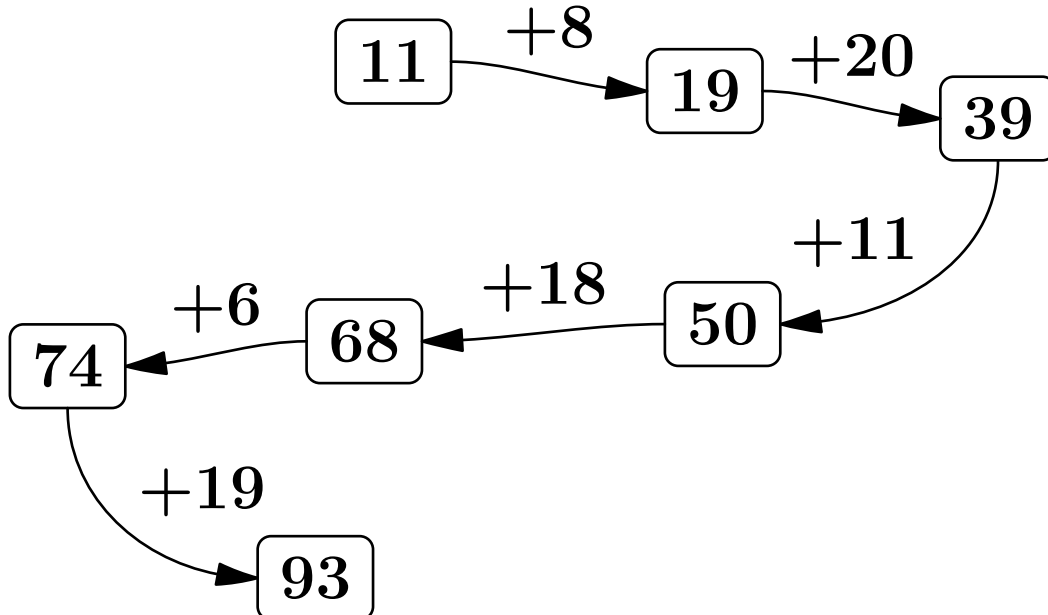
9 Problem – Number snake, addition 5–20, 0–100

Piotr Nieżurawski, update: 2017-09-02, id: en-numbers-0000150, diff: 1

In the following number snake a number in each box except the first one must be equal to the number from the previous box modified in accordance with the description at the arrow. Enter the appropriate numbers in the empty boxes.



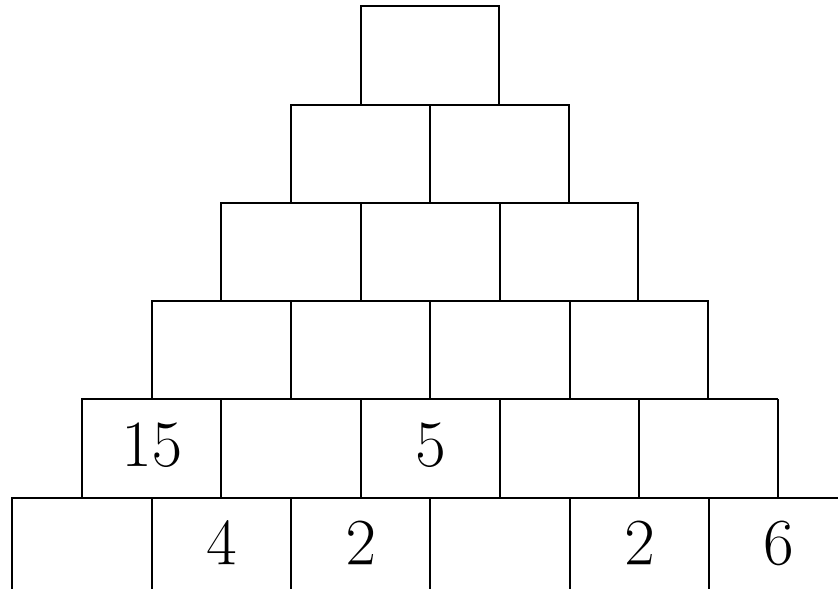
Answer:



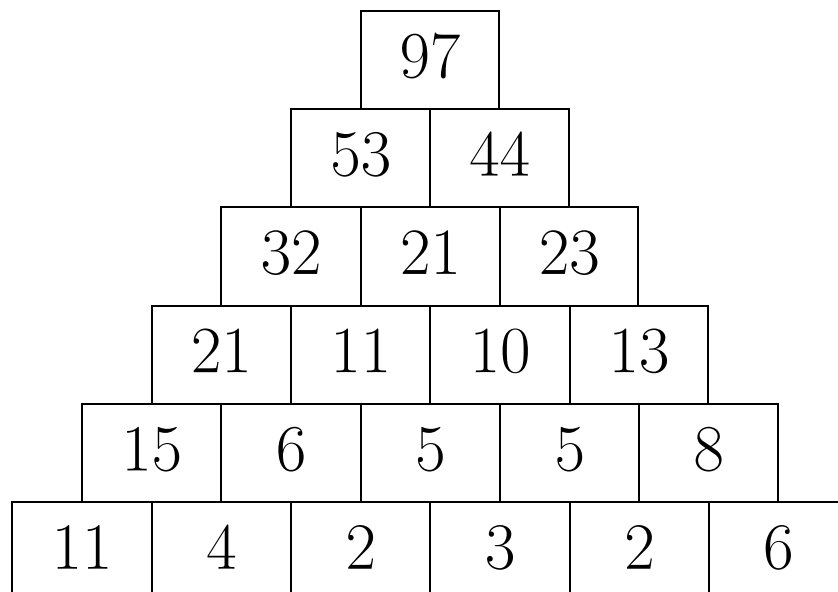
10 Problem – Number triangle, addition, 0–100

Piotr Nieżurawski, update: 2017-08-01, id: en-numbers-0000220, diff: 1

In the following number triangle in each rectangle except those in the lowest row there must be a number that is the sum of the numbers from the two nearest rectangles from the lower row. Enter the appropriate numbers in the empty rectangles.

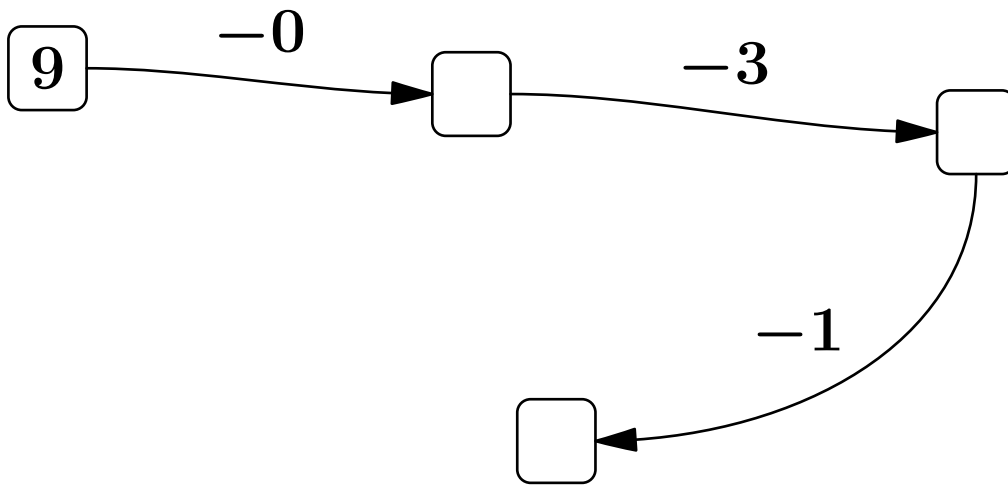


Answer:

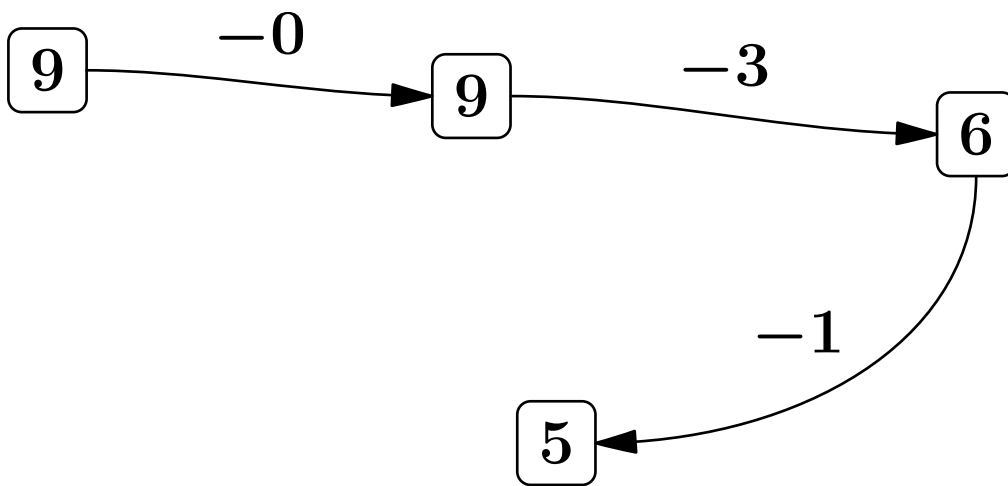
**Subtraction, or –****11 Problem – Number snake, subtraction, 0–10**

Piotr Nieżurawski, update: 2017-09-02, id: en-numbers-0000101, diff: 1

In the following number snake a number in each box except the first one must be equal to the number from the previous box modified in accordance with the description at the arrow. Enter the appropriate numbers in the empty boxes.



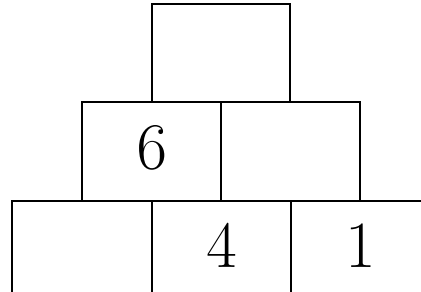
Answer:



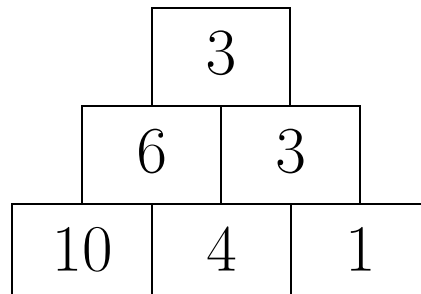
12 Problem – Number triangle, subtraction, 1–10

Piotr Niezurawski, update: 2017-08-01, id: en-numbers-0000201, diff: 1

In the following number triangle in each rectangle except those in the lowest row there must be a number that is the difference of the numbers from the two nearest rectangles from the lower row: from the number in the left rectangle the number in the right rectangle is subtracted. Enter the appropriate numbers in the empty rectangles.



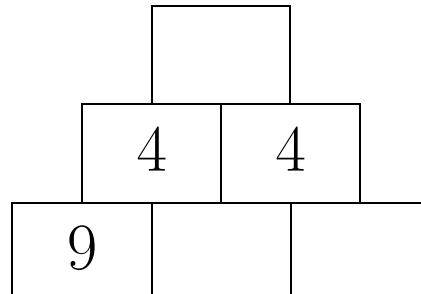
Answer:



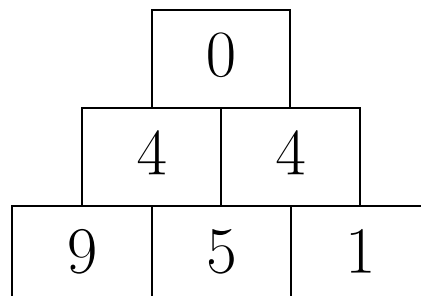
13 Problem – Number triangle, subtraction, 0–10

Piotr Niezurawski, update: 2017-08-01, id: en-numbers-0000206, diff: 1

In the following number triangle in each rectangle except those in the lowest row there must be a number that is the difference of the numbers from the two nearest rectangles from the lower row: from the number in the left rectangle the number in the right rectangle is subtracted. Enter the appropriate numbers in the empty rectangles.



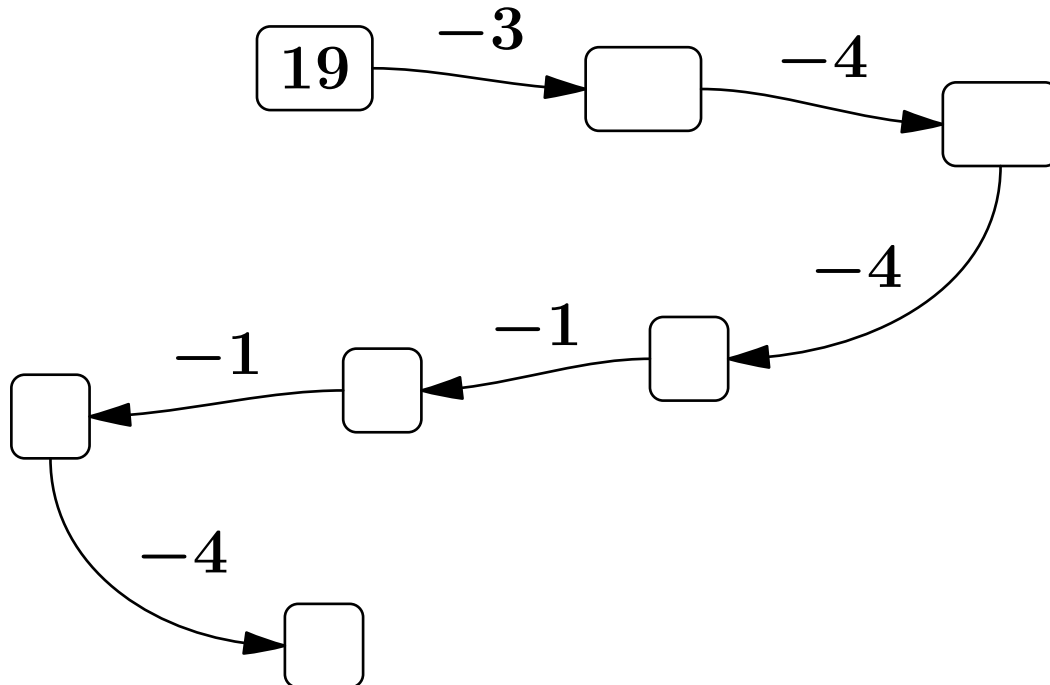
Answer:



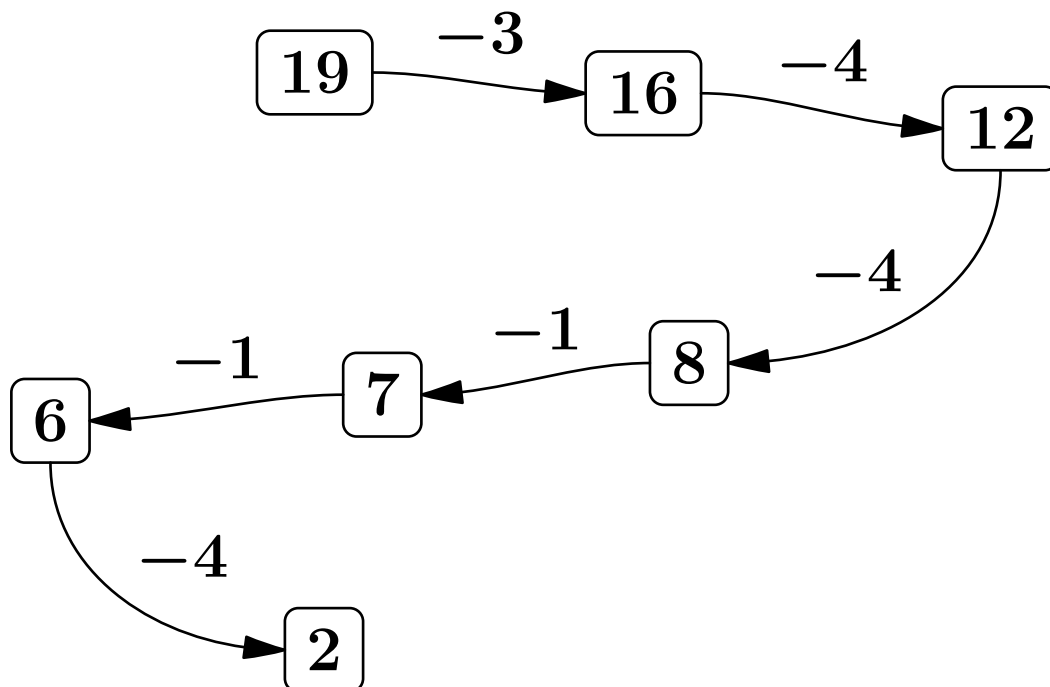
14 Problem – Number snake, subtraction 0–4, 0–20

Piotr Niezurawski, update: 2017-09-02, id: en-numbers-0000106, diff: 1

In the following number snake a number in each box except the first one must be equal to the number from the previous box modified in accordance with the description at the arrow. Enter the appropriate numbers in the empty boxes.



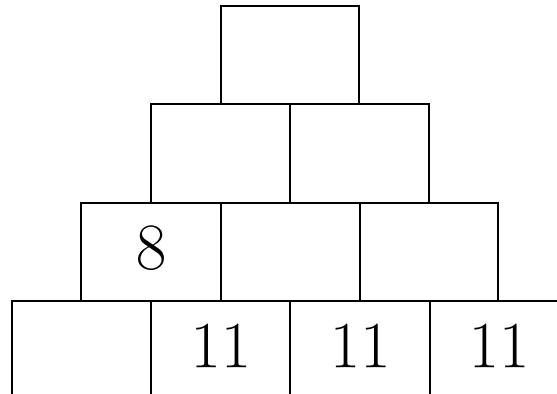
Answer:



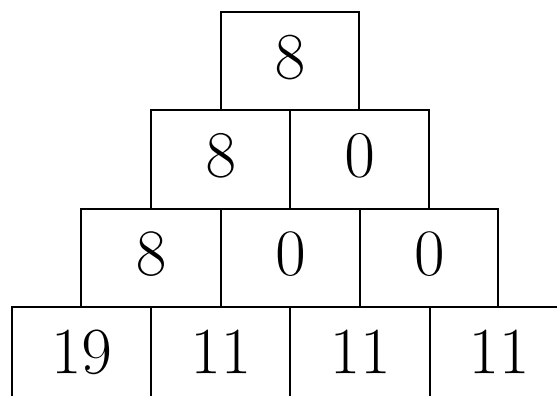
15 Problem – Number triangle, subtraction, 0–20

Piotr Niezurawski, update: 2017-08-01, id: en-numbers-0000211, diff: 1

In the following number triangle in each rectangle except those in the lowest row there must be a number that is the difference of the numbers from the two nearest rectangles from the lower row: from the number in the left rectangle the number in the right rectangle is subtracted. Enter the appropriate numbers in the empty rectangles.



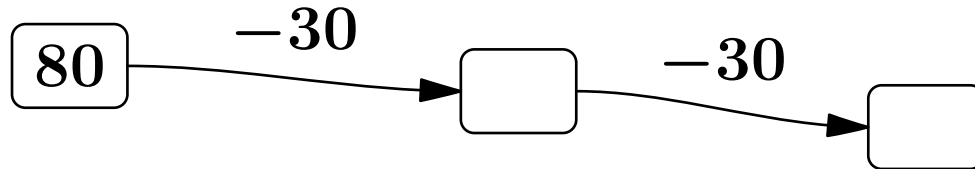
Answer:



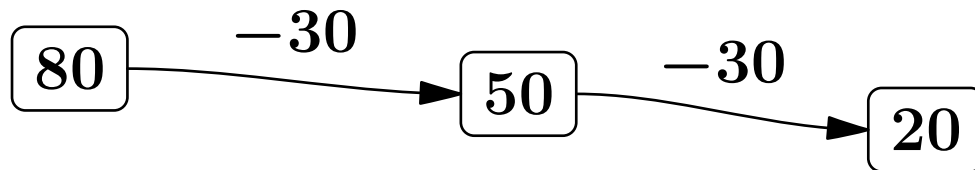
16 Problem – Number snake, subtraction of multiples of 10, 0–100

Piotr Nieżurawski, update: 2017-09-02, id: en-numbers-0000121, diff: 1

In the following number snake a number in each box except the first one must be equal to the number from the previous box modified in accordance with the description at the arrow. Enter the appropriate numbers in the empty boxes.

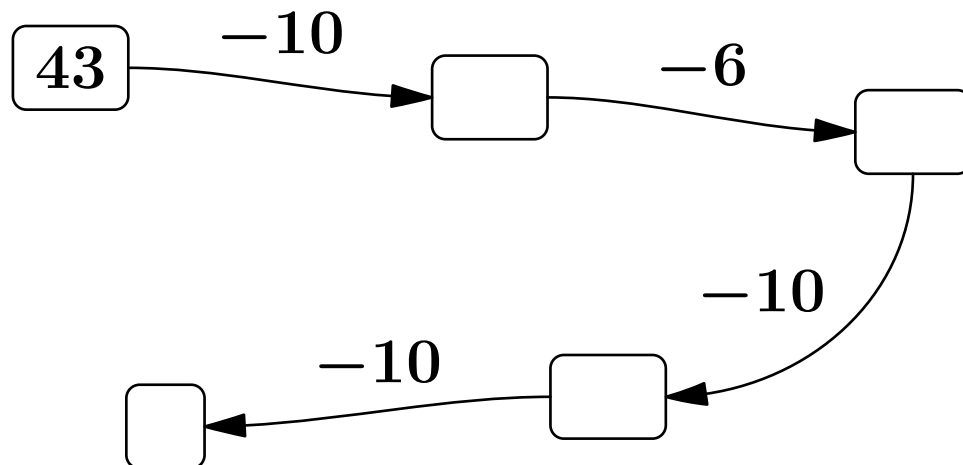


Answer:

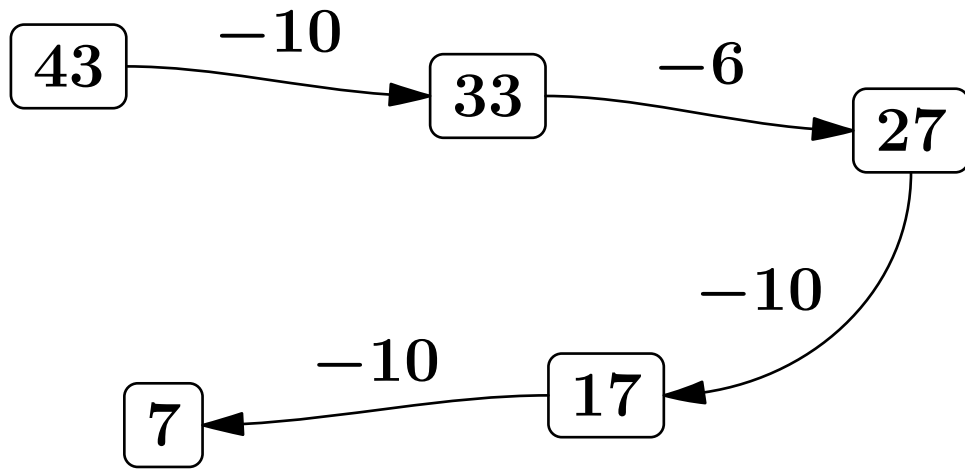
**17 Problem – Number snake, subtraction 5–12, 0–45**

Piotr Nieżurawski, update: 2017-09-02, id: en-numbers-0000126, diff: 1

In the following number snake a number in each box except the first one must be equal to the number from the previous box modified in accordance with the description at the arrow. Enter the appropriate numbers in the empty boxes.



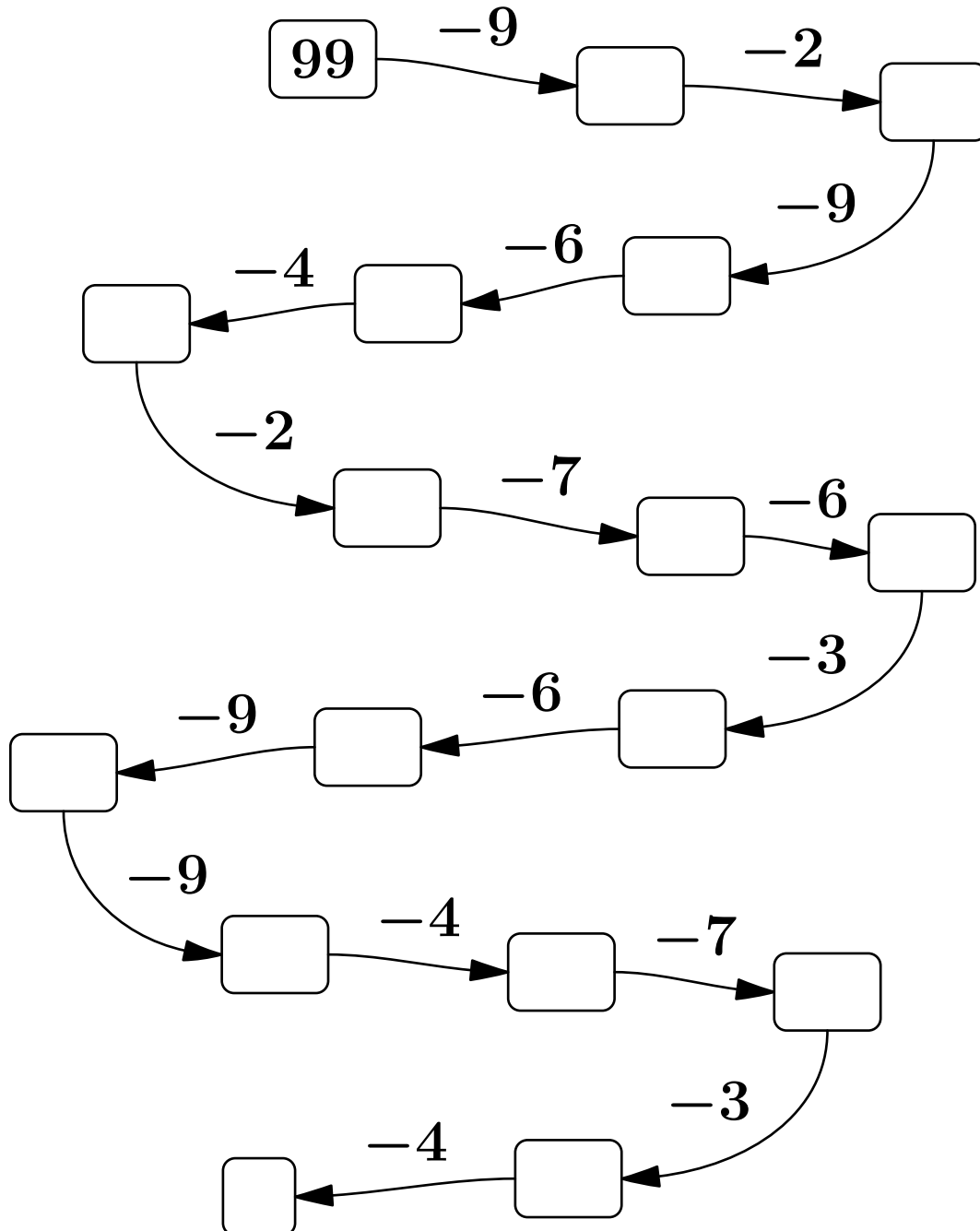
Answer:



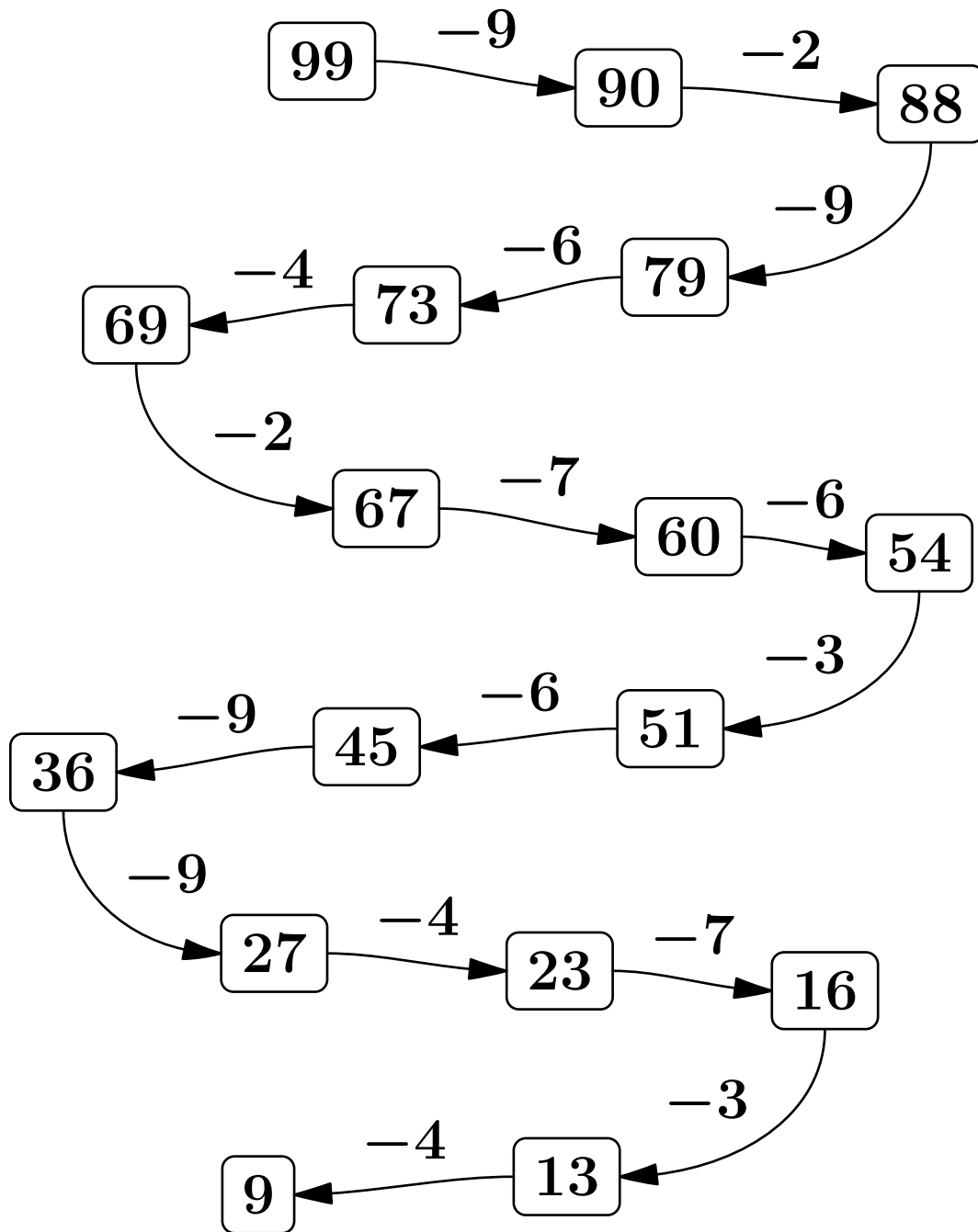
18 Problem – Number snake, subtraction 2–9, 0–100

Piotr Nieżurawski, update: 2017-09-02, id: en-numbers-0000141, diff: 1

In the following number snake a number in each box except the first one must be equal to the number from the previous box modified in accordance with the description at the arrow. Enter the appropriate numbers in the empty boxes.



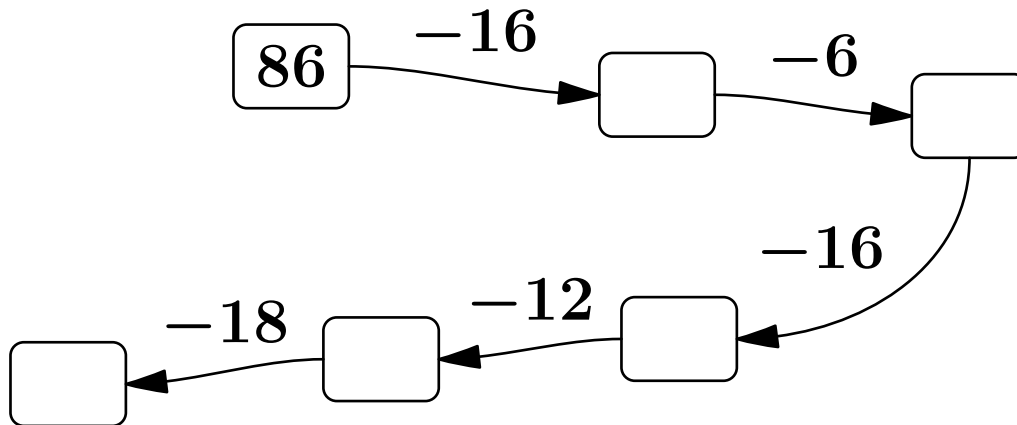
Answer:



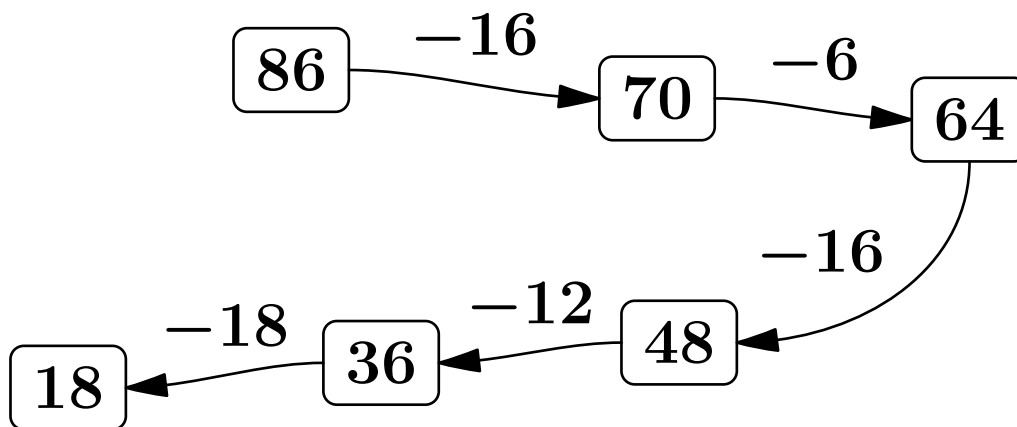
19 Problem – Number snake, subtraction 5–20, 0–100

Piotr Nieżurawski, update: 2017-09-02, id: en-numbers-0000151, diff: 1

In the following number snake a number in each box except the first one must be equal to the number from the previous box modified in accordance with the description at the arrow. Enter the appropriate numbers in the empty boxes.



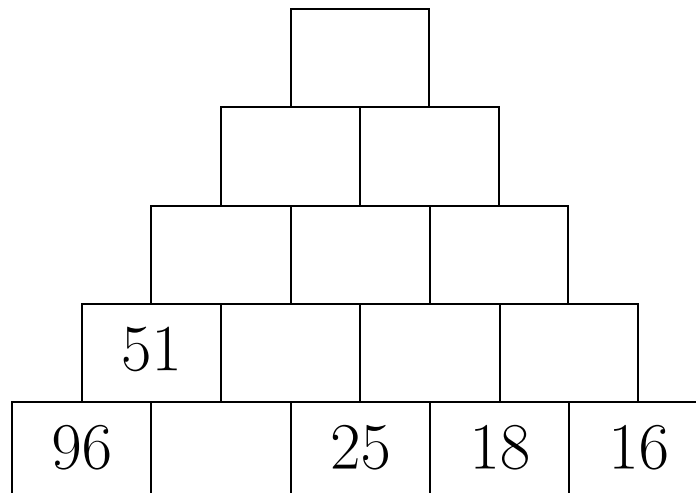
Answer:



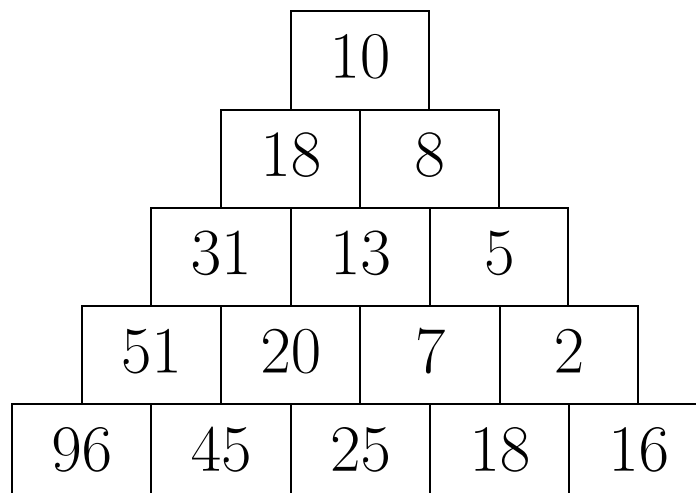
20 Problem – Number triangle, subtraction, 0–100

Piotr Niezurawski, update: 2017-08-01, id: en-numbers-0000221, diff: 1

In the following number triangle in each rectangle except those in the lowest row there must be a number that is the difference of the numbers from the two nearest rectangles from the lower row: from the number in the left rectangle the number in the right rectangle is subtracted. Enter the appropriate numbers in the empty rectangles.



Answer:



Addition in columns, or + again

21 Problem – Addition in columns, 35

Piotr Nieżurawski, update: 2017-09-03, id: en-numbers-0000300, diff: 1

Calculate the following sums.

a)

| | | |
|---|---|---|
| | | |
| | 1 | 8 |
| + | | 5 |
| | | |

b)

| | | |
|---|---|---|
| | | |
| | 1 | 9 |
| + | 1 | 5 |
| | | |

Answer:

a)

| | | |
|---|---|---|
| | | |
| | 1 | 8 |
| + | | 5 |
| | 2 | 3 |

b)

| | | |
|---|---|---|
| | | |
| | 1 | 9 |
| + | 1 | 5 |
| | 3 | 4 |

22 Problem – Addition in columns, 35

Piotr Nieżurawski, update: 2017-09-03, id: en-numbers-0000300, diff: 1

Calculate the following sums.

a)

| | | |
|---|---|---|
| | | |
| | 1 | 5 |
| + | | 8 |
| | | |

b)

| | | |
|---|---|---|
| | | |
| | 1 | 9 |
| + | 1 | 3 |
| | | |

Answer:

a)

| | | |
|-------|---|---|
| | | |
| | 1 | 5 |
| + | | 8 |
| <hr/> | | |
| | 2 | 3 |

b)

| | | |
|-------|---|---|
| | | |
| | 1 | 9 |
| + | 1 | 3 |
| <hr/> | | |
| | 3 | 2 |

23 Problem – Addition in columns, 55*Piotr Nieżurawski, update: 2017-09-03, id: en-numbers-0000305, diff: 1*

Calculate the following sums.

a)

| | | |
|-------|---|---|
| | | |
| | 2 | 7 |
| + | 1 | 9 |
| <hr/> | | |
| | | |

b)

| | | |
|-------|---|---|
| | | |
| | 3 | 9 |
| + | 1 | 3 |
| <hr/> | | |
| | | |

Answer:

a)

| | | |
|-------|---|---|
| | | |
| | 2 | 7 |
| + | 1 | 9 |
| <hr/> | | |
| | 4 | 6 |

b)

| | | |
|-------|---|---|
| | | |
| | 3 | 9 |
| + | 1 | 3 |
| <hr/> | | |
| | 5 | 2 |

24 Problem – Addition in columns, 55*Piotr Niezurawski, update: 2017-09-03, id: en-numbers-0000305, diff: 1*

Calculate the following sums.

a)

| | | |
|---|---|---|
| | | |
| | 2 | 7 |
| + | 2 | 1 |
| | | |

b)

| | | |
|---|---|---|
| | | |
| | 3 | 9 |
| + | 1 | 4 |
| | | |

Answer:

a)

| | | |
|---|---|---|
| | | |
| | 2 | 7 |
| + | 2 | 1 |
| | 4 | 8 |

b)

| | | |
|---|---|---|
| | | |
| | 3 | 9 |
| + | 1 | 4 |
| | 5 | 3 |

25 Problem – Addition in columns, 100*Piotr Niezurawski, update: 2017-09-03, id: en-numbers-0000310, diff: 1*

Calculate the following sums.

a)

| | | |
|-------|---|---|
| | | |
| | 5 | 4 |
| + | 3 | 3 |
| <hr/> | | |
| | | |

b)

| | | |
|-------|---|---|
| | | |
| | 7 | 1 |
| + | 2 | 9 |
| <hr/> | | |
| | | |

Answer:

a)

| | | |
|-------|---|---|
| | | |
| | 5 | 4 |
| + | 3 | 3 |
| <hr/> | | |
| | 8 | 7 |

b)

| | | |
|-------|---|---|
| | | |
| | 7 | 1 |
| + | 2 | 9 |
| <hr/> | | |
| 1 | 0 | 0 |

26 Problem – Addition in columns, 100*Piotr Niezurawski, update: 2017-09-03, id: en-numbers-0000310, diff: 1*

Calculate the following sums.

a)

| | | |
|---|---|---|
| | | |
| | 5 | 4 |
| + | 3 | 2 |
| | | |
| | | |

b)

| | | |
|---|---|---|
| | | |
| | 6 | 2 |
| + | 3 | 4 |
| | | |
| | | |

Answer:

a)

| | | |
|---|---|---|
| | | |
| | 5 | 4 |
| + | 3 | 2 |
| | | |
| | 8 | 6 |

b)

| | | |
|---|---|---|
| | | |
| | 6 | 2 |
| + | 3 | 4 |
| | | |
| | 9 | 6 |

27 Problem – Addition in columns, 150*Piotr Niezurawski, update: 2017-09-03, id: en-numbers-0000315, diff: 1*

Calculate the following sums.

a)

| | | |
|-------|---|---|
| | | |
| | 7 | 1 |
| + | 4 | 8 |
| <hr/> | | |
| | | |

b)

| | | |
|-------|---|---|
| | | |
| | 9 | 0 |
| + | 5 | 5 |
| <hr/> | | |
| | | |

Answer:

a)

| | | |
|-------|---|---|
| | | |
| | 7 | 1 |
| + | 4 | 8 |
| <hr/> | | |
| 1 | 1 | 9 |

b)

| | | |
|-------|---|---|
| | | |
| | 9 | 0 |
| + | 5 | 5 |
| <hr/> | | |
| 1 | 4 | 5 |

28 Problem – Addition in columns, 150*Piotr Niezurawski, update: 2017-09-03, id: en-numbers-0000315, diff: 1*

Calculate the following sums.

a)

| | | |
|---|---|---|
| | | |
| | 6 | 5 |
| + | 5 | 4 |
| | | |

b)

| | | |
|---|---|---|
| | | |
| | 7 | 6 |
| + | 6 | 9 |
| | | |

Answer:

a)

| | | |
|---|---|---|
| | | |
| | 6 | 5 |
| + | 5 | 4 |
| 1 | 1 | 9 |

b)

| | | |
|---|---|---|
| | | |
| | 7 | 6 |
| + | 6 | 9 |
| 1 | 4 | 5 |

29 Problem – Addition in columns, 1500*Piotr Niezurawski, update: 2017-09-03, id: en-numbers-0000320, diff: 1*

Calculate the following sums.

a)

| | | | |
|-------|---|---|---|
| | | | |
| | 5 | 0 | 3 |
| + | 4 | 8 | 5 |
| <hr/> | | | |
| | | | |

b)

| | | | |
|-------|---|---|---|
| | | | |
| | 7 | 0 | 1 |
| + | 7 | 8 | 6 |
| <hr/> | | | |
| | | | |

Answer:

a)

| | | | |
|-------|---|---|---|
| | | | |
| | 5 | 0 | 3 |
| + | 4 | 8 | 5 |
| <hr/> | | | |
| | 9 | 8 | 8 |

b)

| | | | |
|-------|---|---|---|
| | | | |
| | 7 | 0 | 1 |
| + | 7 | 8 | 6 |
| <hr/> | | | |
| 1 | 4 | 8 | 7 |

30 Problem – Addition in columns, 1500*Piotr Niezurawski, update: 2017-09-03, id: en-numbers-0000320, diff: 1*

Calculate the following sums.

a)

| | | | |
|-------|---|---|---|
| | | | |
| | 5 | 4 | 2 |
| + | 4 | 5 | 1 |
| <hr/> | | | |
| | | | |

b)

| | | | |
|-------|---|---|---|
| | | | |
| | 7 | 9 | 0 |
| + | 6 | 9 | 0 |
| <hr/> | | | |
| | | | |

Answer:

a)

| | | | |
|-------|---|---|---|
| | | | |
| | 5 | 4 | 2 |
| + | 4 | 5 | 1 |
| <hr/> | | | |
| | 9 | 9 | 3 |

b)

| | | | |
|-------|---|---|---|
| | | | |
| | 7 | 9 | 0 |
| + | 6 | 9 | 0 |
| <hr/> | | | |
| 1 | 4 | 8 | 0 |