

Addition and subtraction for beginners

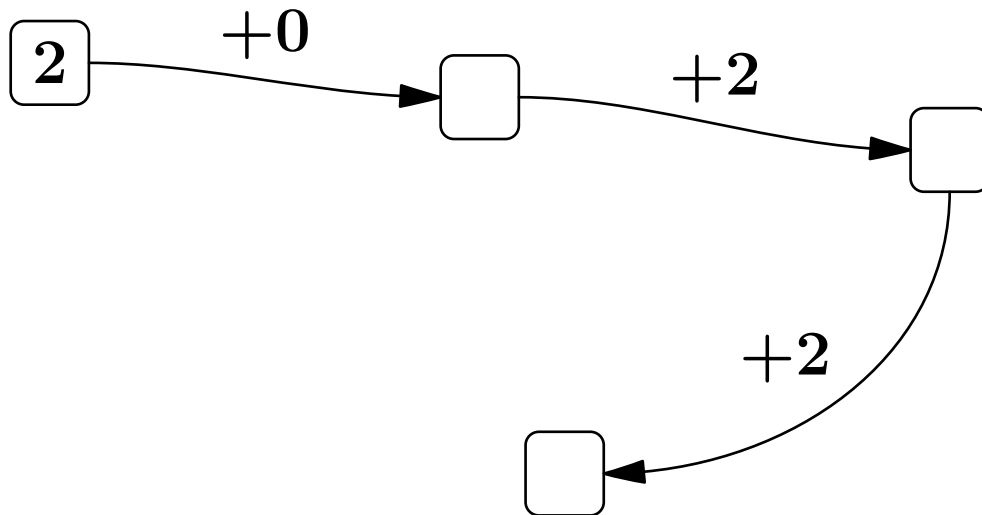
Plus Minus

Snakes, triangles and columns.

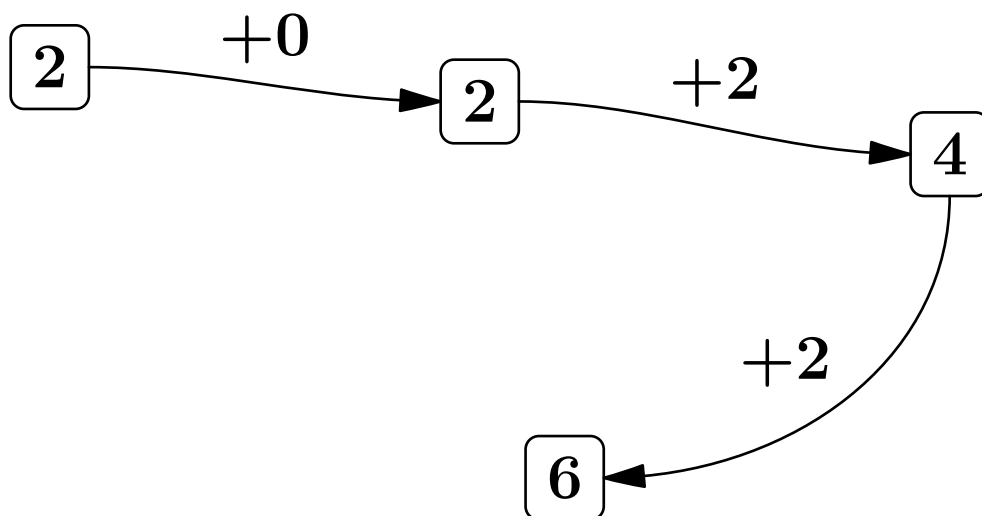
Addition, or +

1 Problem – Number snake, addition, 0–10

In the following number snake a number in each box except the first one must be equal to the number from the previous box modified in accordance with the description at the arrow. Enter the appropriate numbers in the empty boxes.

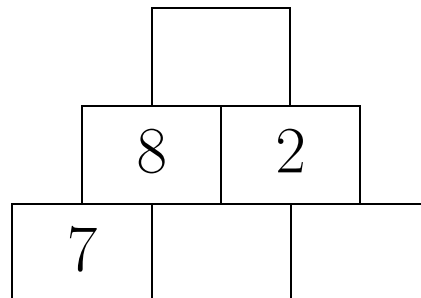


Answer:

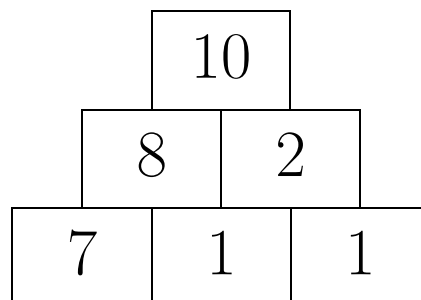


2 Problem – Number triangle, addition, 1–10

In the following number triangle in each rectangle except those in the lowest row there must be a number that is the sum of the numbers from the two nearest rectangles from the lower row. Enter the appropriate numbers in the empty rectangles.

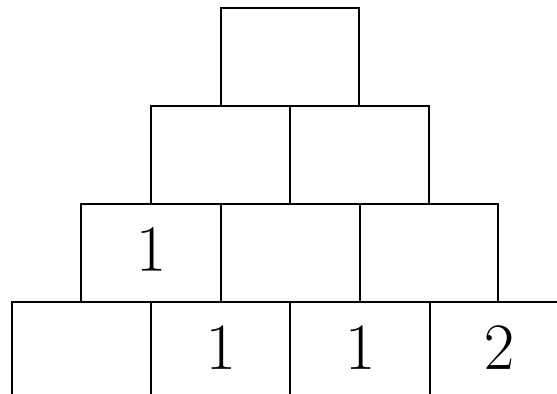


Answer:

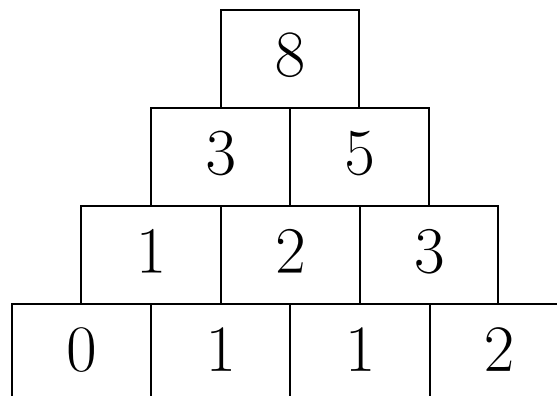


3 Problem – Number triangle, addition, 0–10

In the following number triangle in each rectangle except those in the lowest row there must be a number that is the sum of the numbers from the two nearest rectangles from the lower row. Enter the appropriate numbers in the empty rectangles.

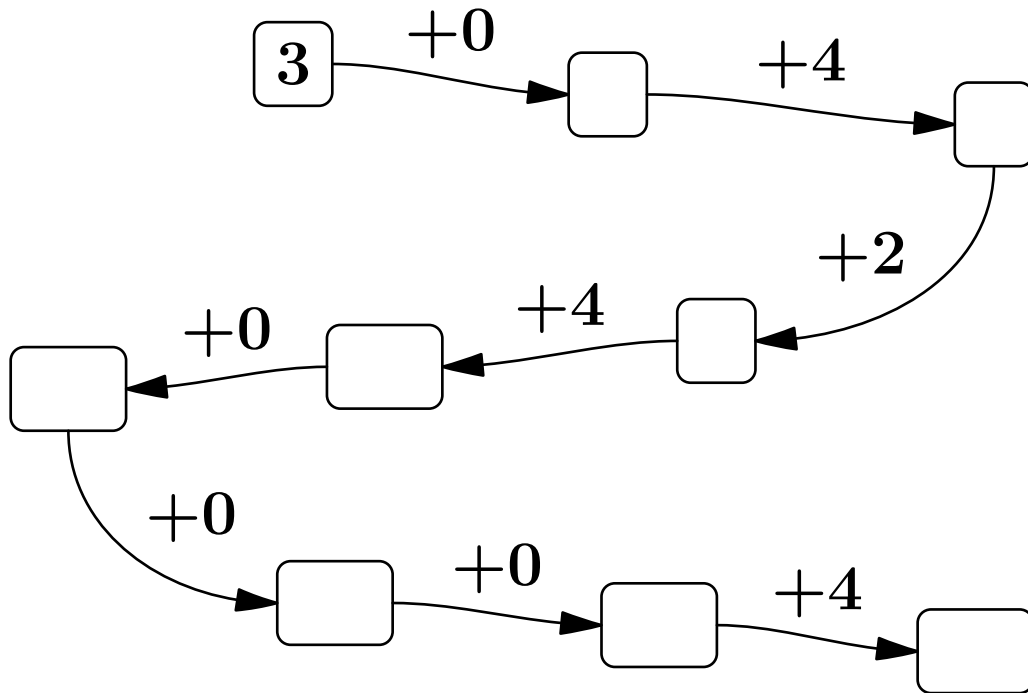


Answer:

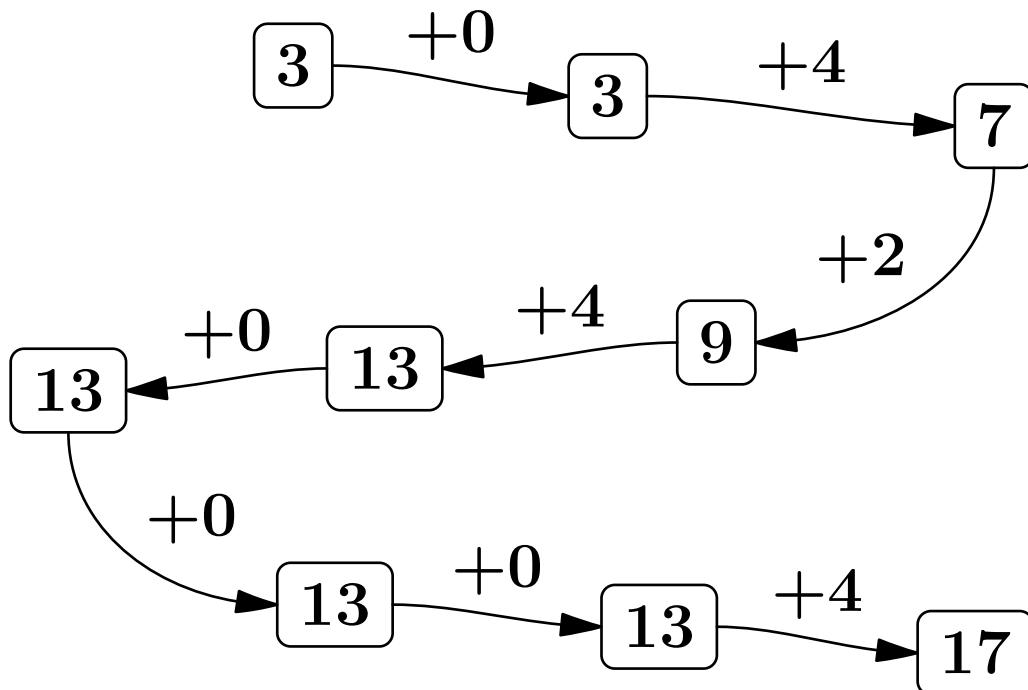


4 Problem – Number snake, addition 0–4, 0–20

In the following number snake a number in each box except the first one must be equal to the number from the previous box modified in accordance with the description at the arrow. Enter the appropriate numbers in the empty boxes.

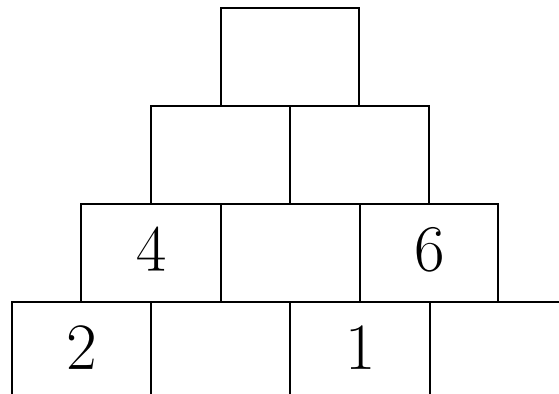


Answer:

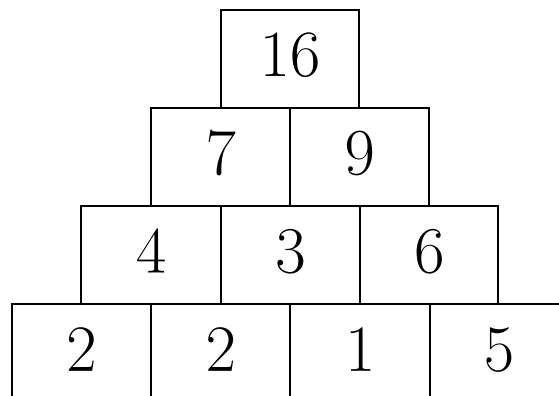


5 Problem – Number triangle, addition, 0–20

In the following number triangle in each rectangle except those in the lowest row there must be a number that is the sum of the numbers from the two nearest rectangles from the lower row. Enter the appropriate numbers in the empty rectangles.

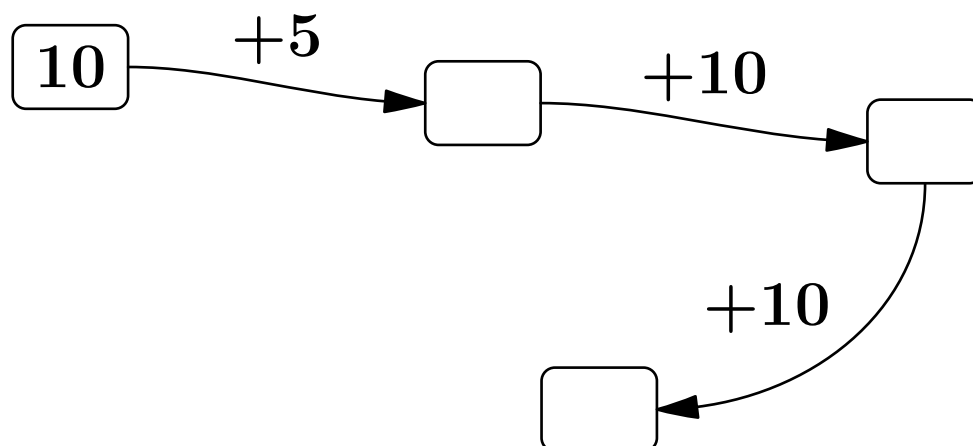


Answer:

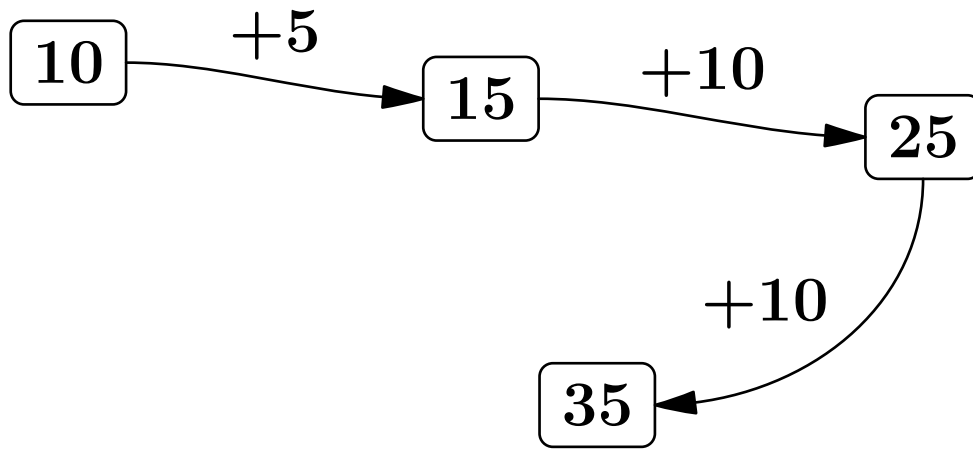


6 Problem – Number snake, addition 5–12, 0–45

In the following number snake a number in each box except the first one must be equal to the number from the previous box modified in accordance with the description at the arrow. Enter the appropriate numbers in the empty boxes.

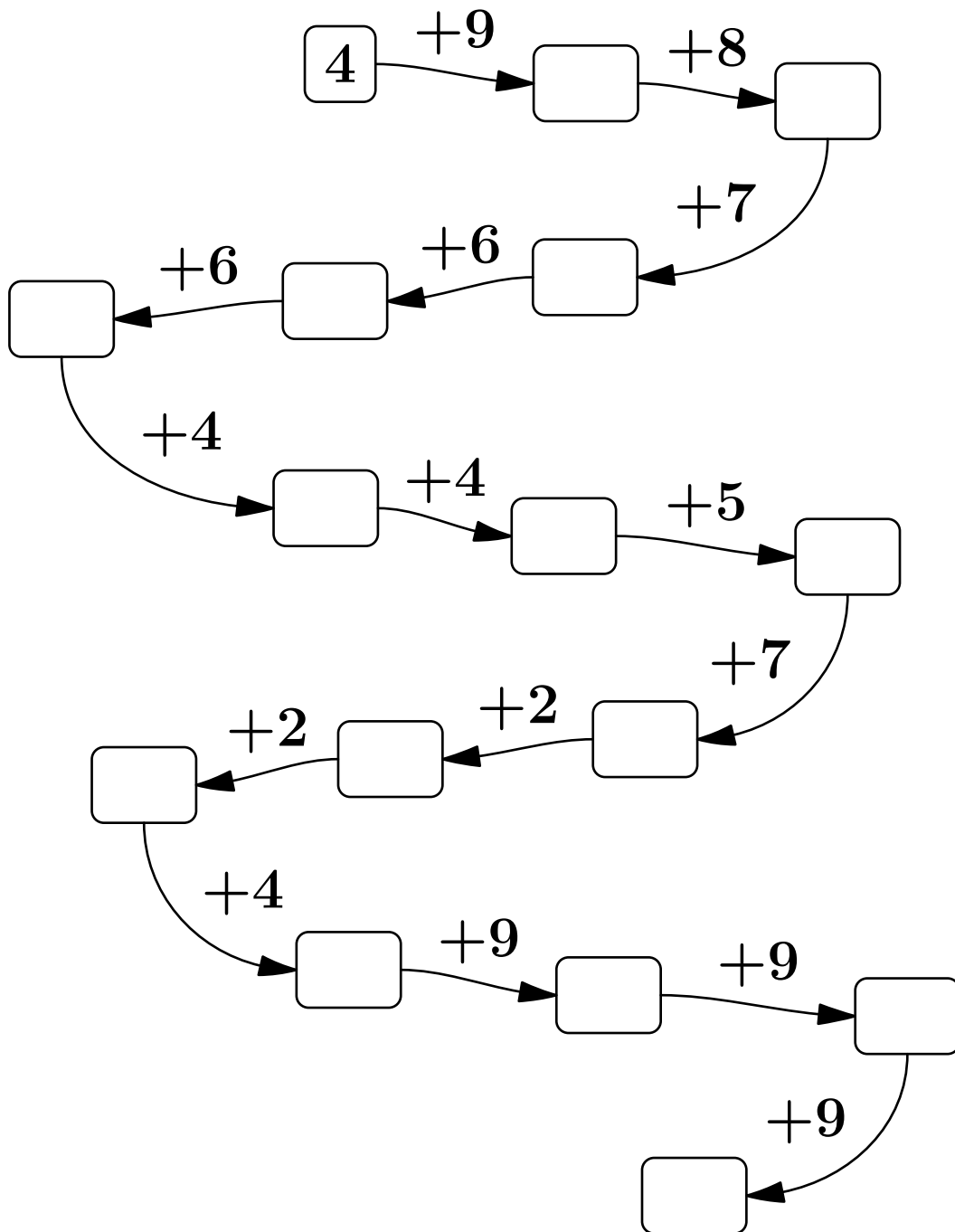


Answer:

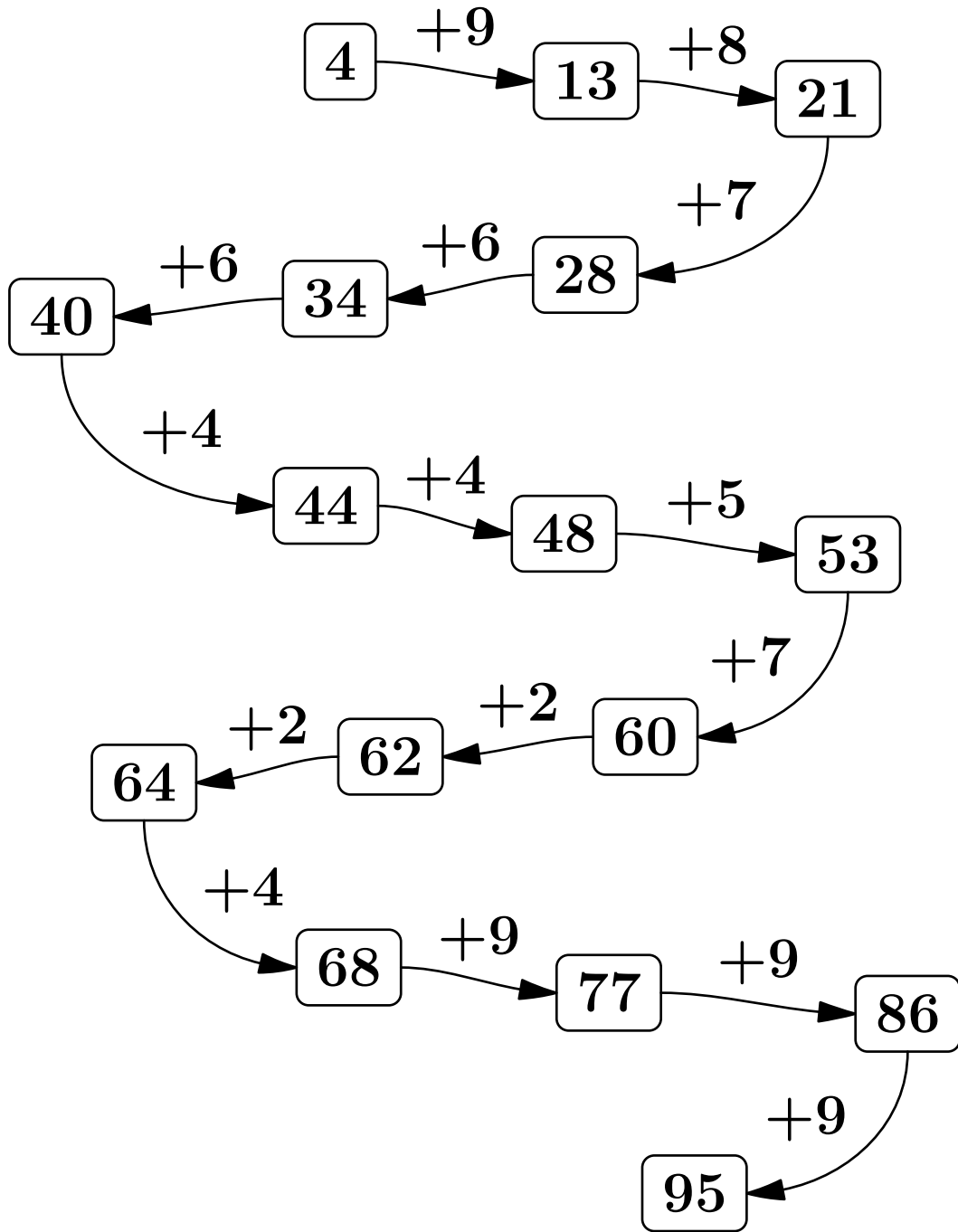


7 Problem – Number snake, addition 2–9, 0–100

In the following number snake a number in each box except the first one must be equal to the number from the previous box modified in accordance with the description at the arrow. Enter the appropriate numbers in the empty boxes.

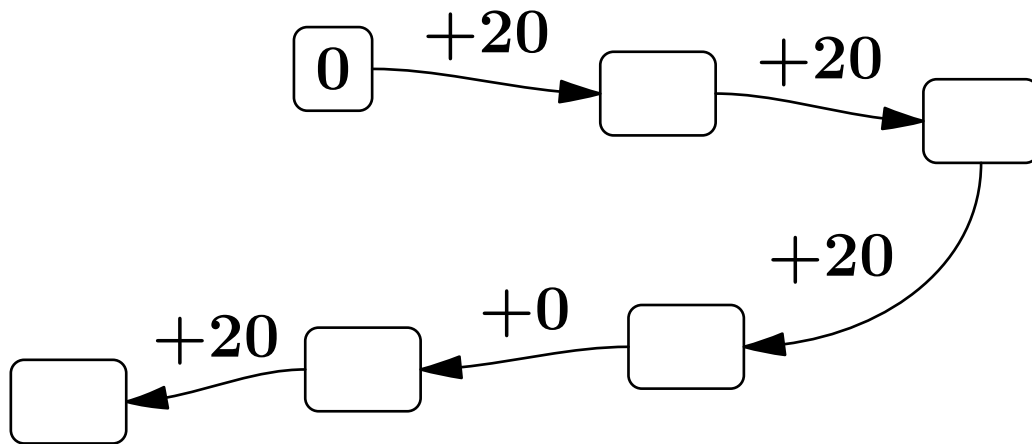


Answer:

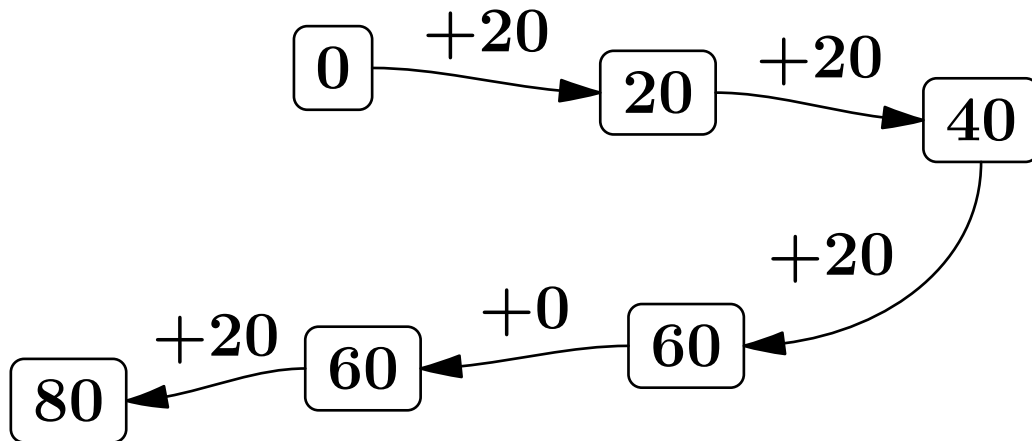


8 Problem – Number snake, addition of multiples of 10, 0–100

In the following number snake a number in each box except the first one must be equal to the number from the previous box modified in accordance with the description at the arrow. Enter the appropriate numbers in the empty boxes.

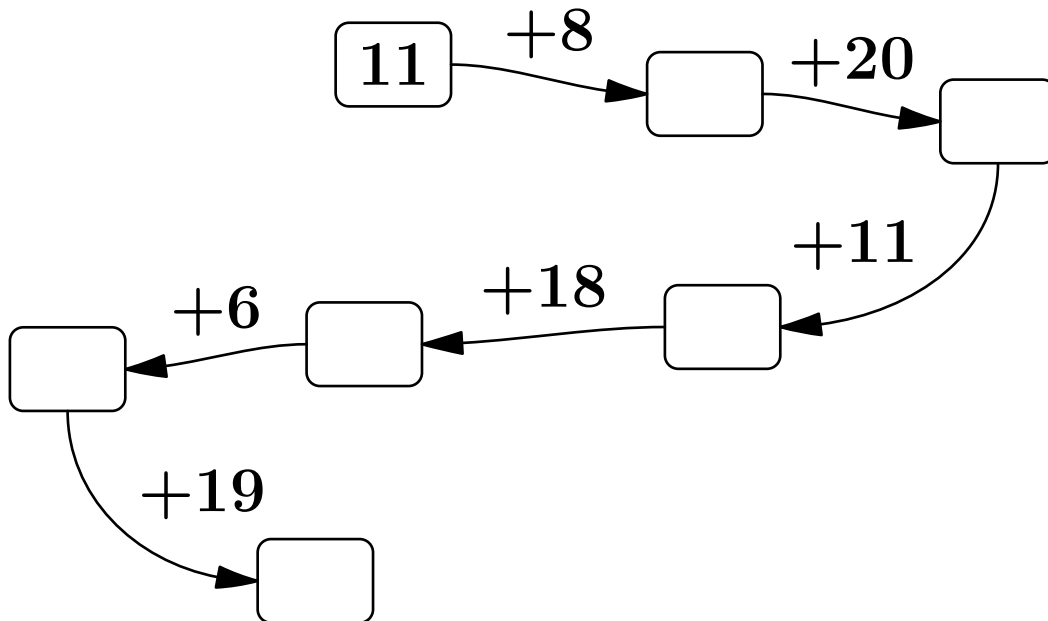


Answer:

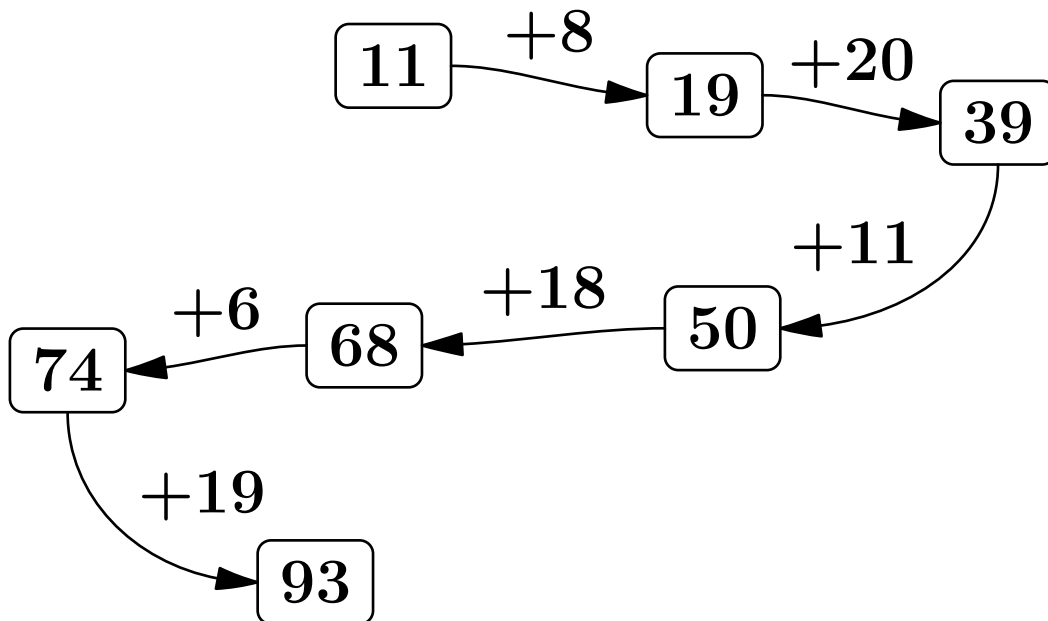


9 Problem – Number snake, addition 5–20, 0–100

In the following number snake a number in each box except the first one must be equal to the number from the previous box modified in accordance with the description at the arrow. Enter the appropriate numbers in the empty boxes.

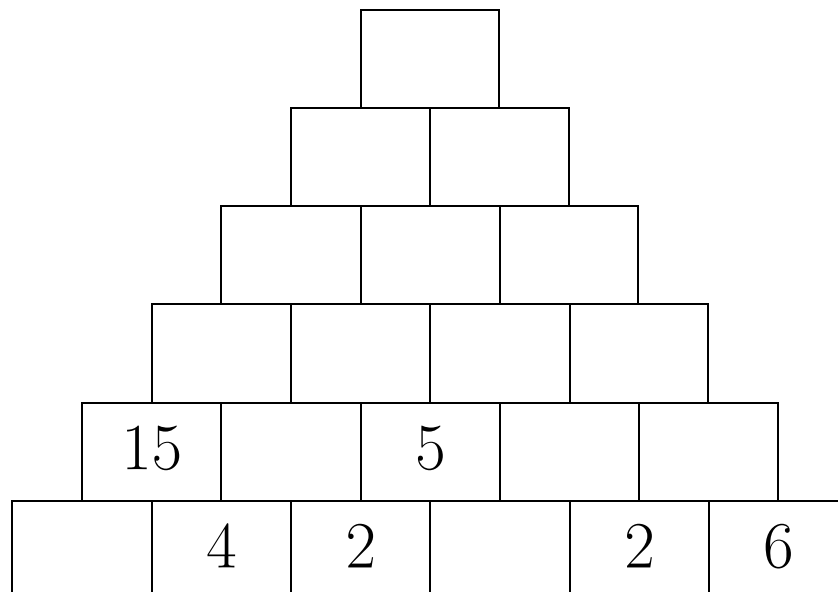


Answer:

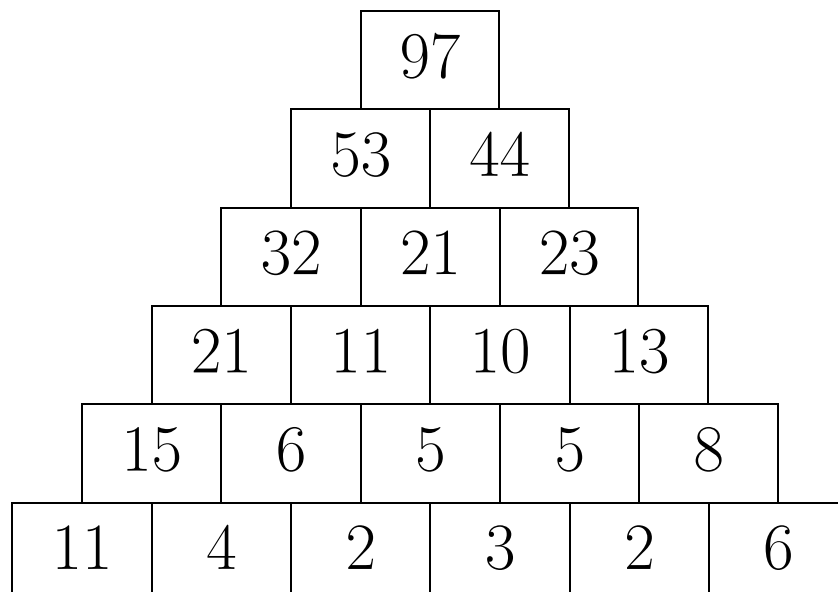


10 Problem – Number triangle, addition, 0–100

In the following number triangle in each rectangle except those in the lowest row there must be a number that is the sum of the numbers from the two nearest rectangles from the lower row. Enter the appropriate numbers in the empty rectangles.



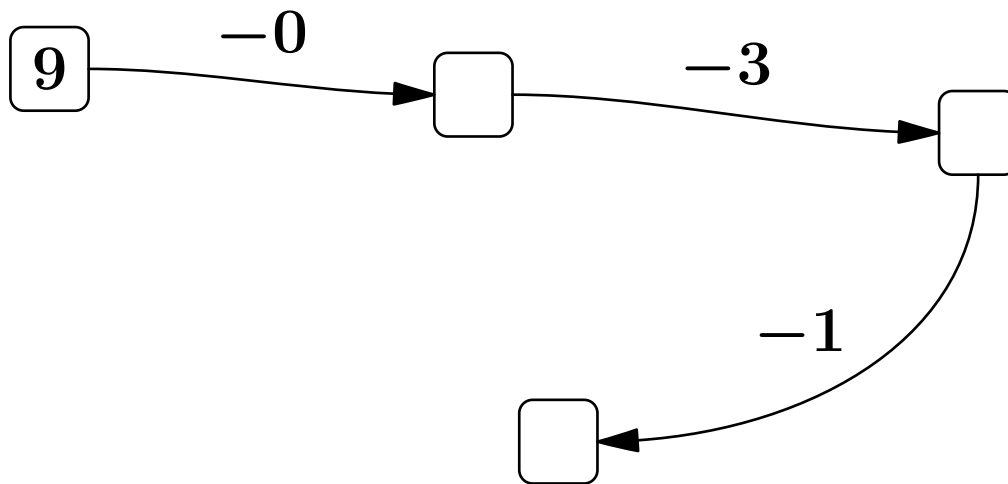
Answer:



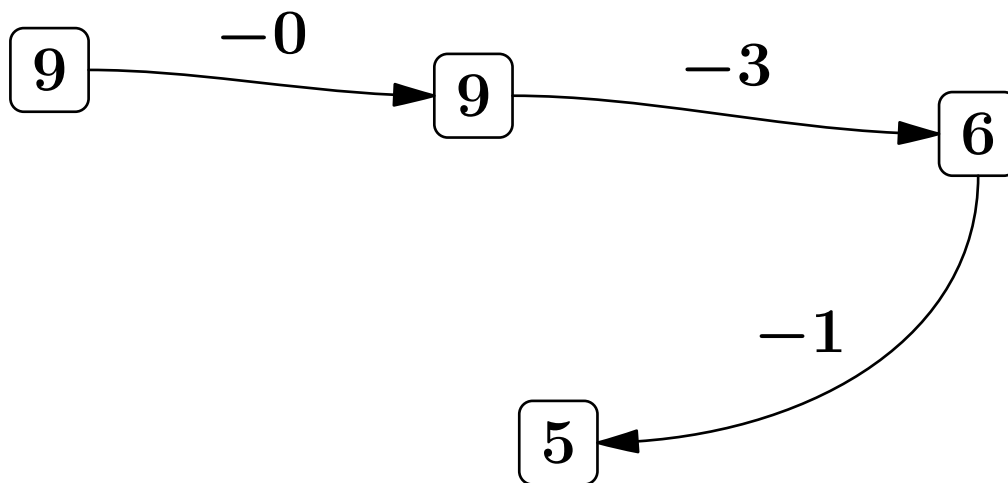
Subtraction, or –

11 Problem – Number snake, subtraction, 0–10

In the following number snake a number in each box except the first one must be equal to the number from the previous box modified in accordance with the description at the arrow. Enter the appropriate numbers in the empty boxes.

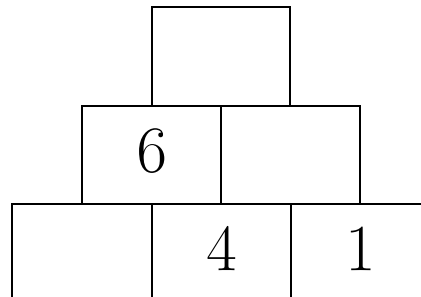
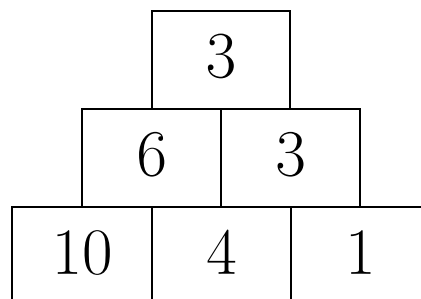


Answer:

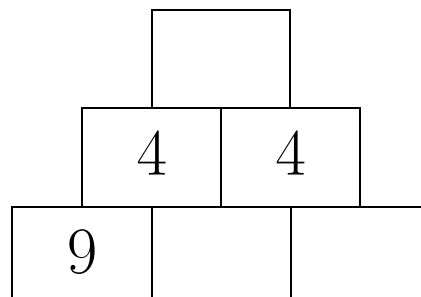
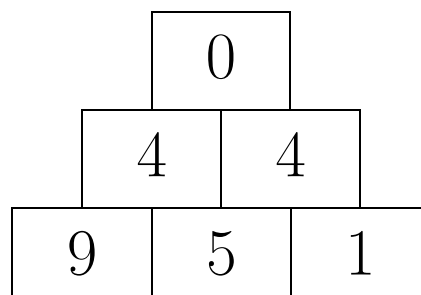


12 Problem – Number triangle, subtraction, 1–10

In the following number triangle in each rectangle except those in the lowest row there must be a number that is the difference of the numbers from the two nearest rectangles from the lower row: from the number in the left rectangle the number in the right rectangle is subtracted. Enter the appropriate numbers in the empty rectangles.

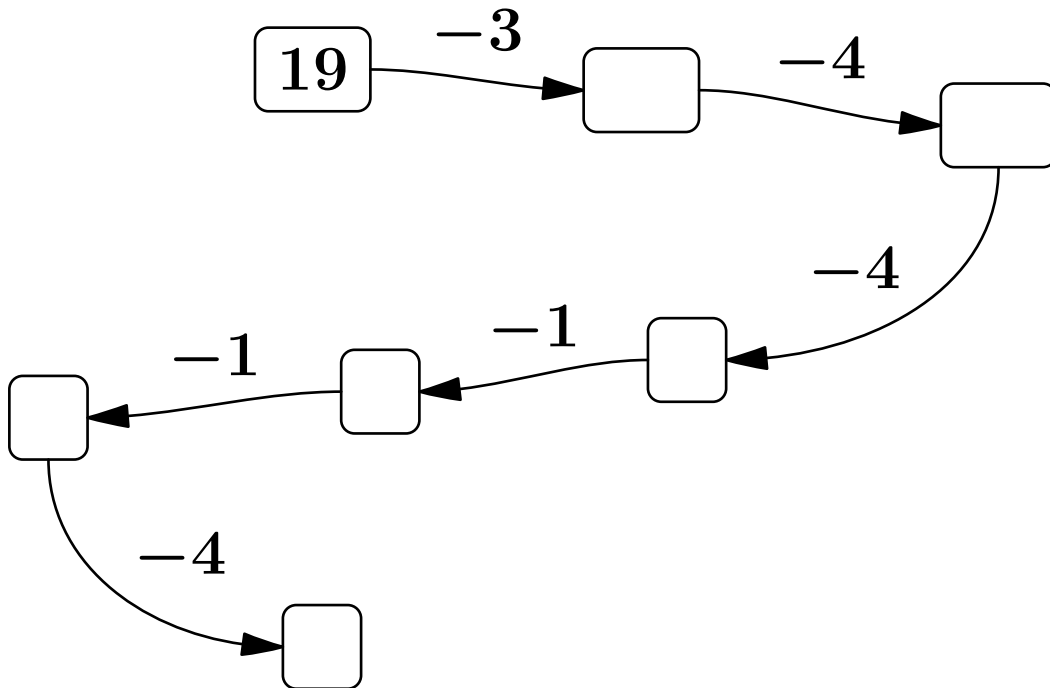
**Answer:****13 Problem – Number triangle, subtraction, 0–10**

In the following number triangle in each rectangle except those in the lowest row there must be a number that is the difference of the numbers from the two nearest rectangles from the lower row: from the number in the left rectangle the number in the right rectangle is subtracted. Enter the appropriate numbers in the empty rectangles.

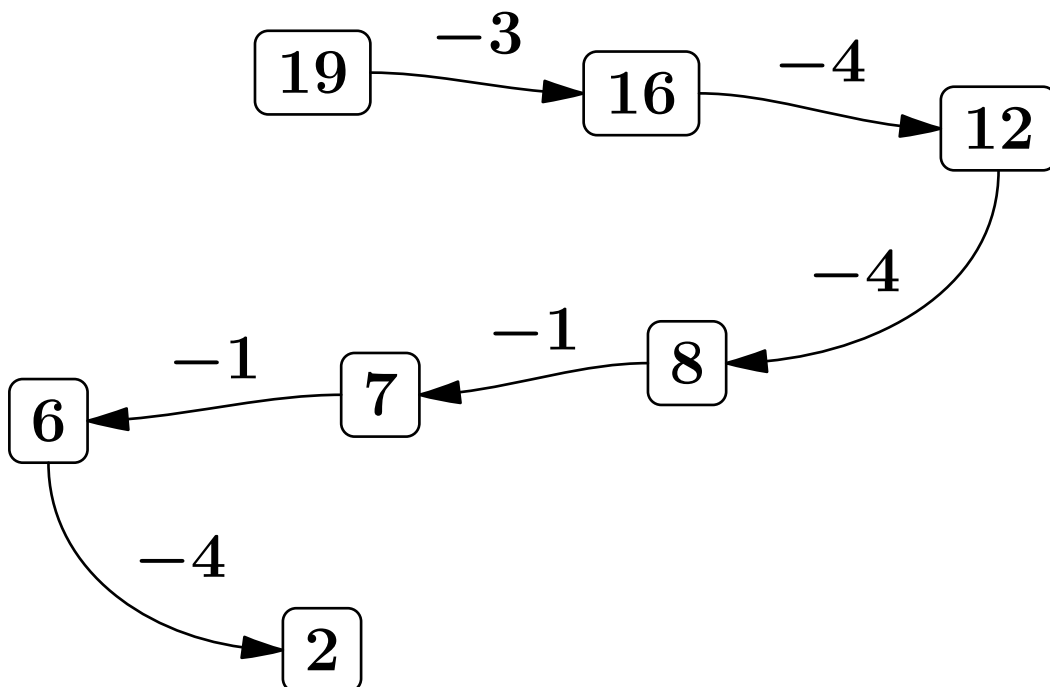
**Answer:**

14 Problem – Number snake, subtraction 0–4, 0–20

In the following number snake a number in each box except the first one must be equal to the number from the previous box modified in accordance with the description at the arrow. Enter the appropriate numbers in the empty boxes.

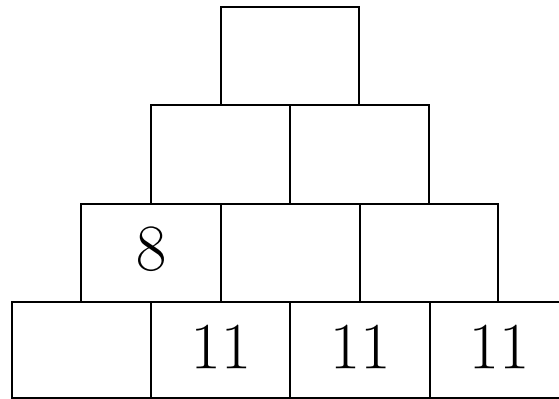


Answer:

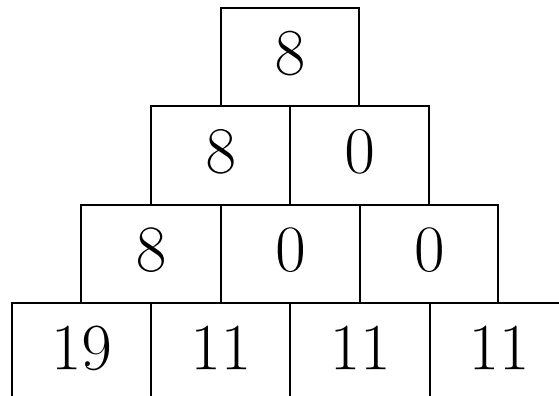


15 Problem – Number triangle, subtraction, 0–20

In the following number triangle in each rectangle except those in the lowest row there must be a number that is the difference of the numbers from the two nearest rectangles from the lower row: from the number in the left rectangle the number in the right rectangle is subtracted. Enter the appropriate numbers in the empty rectangles.

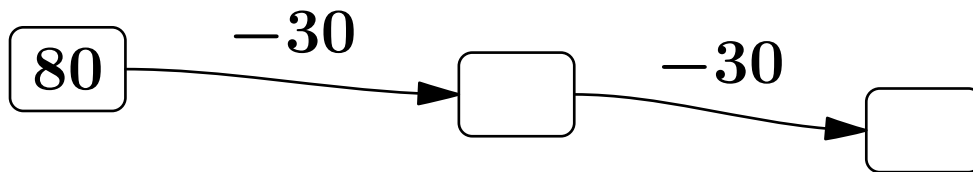


Answer:

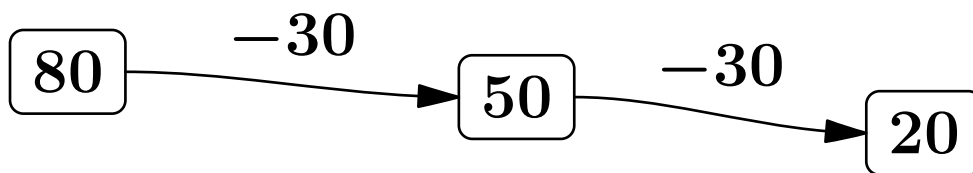


16 Problem – Number snake, subtraction of multiples of 10, 0–100

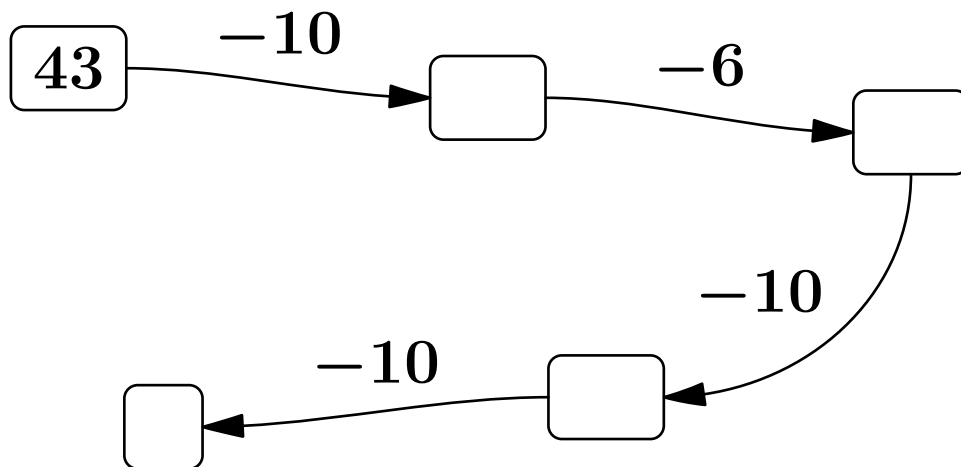
In the following number snake a number in each box except the first one must be equal to the number from the previous box modified in accordance with the description at the arrow. Enter the appropriate numbers in the empty boxes.



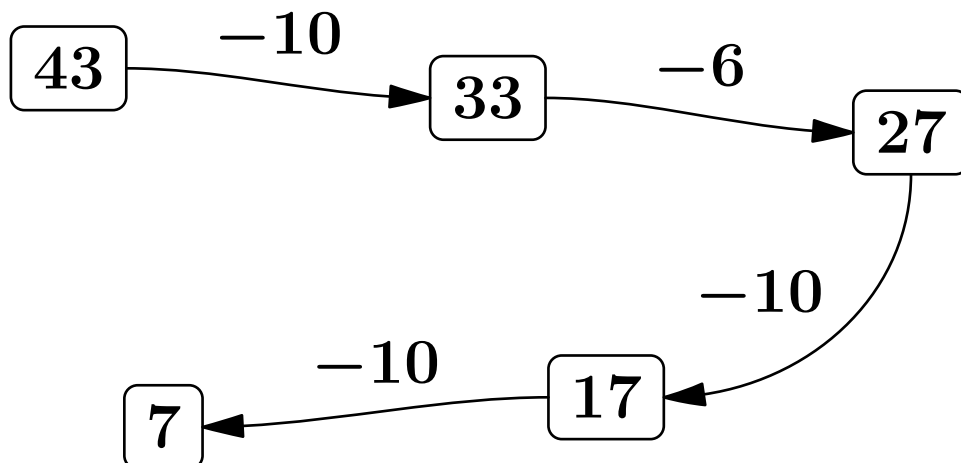
Answer:

**17 Problem – Number snake, subtraction 5–12, 0–45**

In the following number snake a number in each box except the first one must be equal to the number from the previous box modified in accordance with the description at the arrow. Enter the appropriate numbers in the empty boxes.

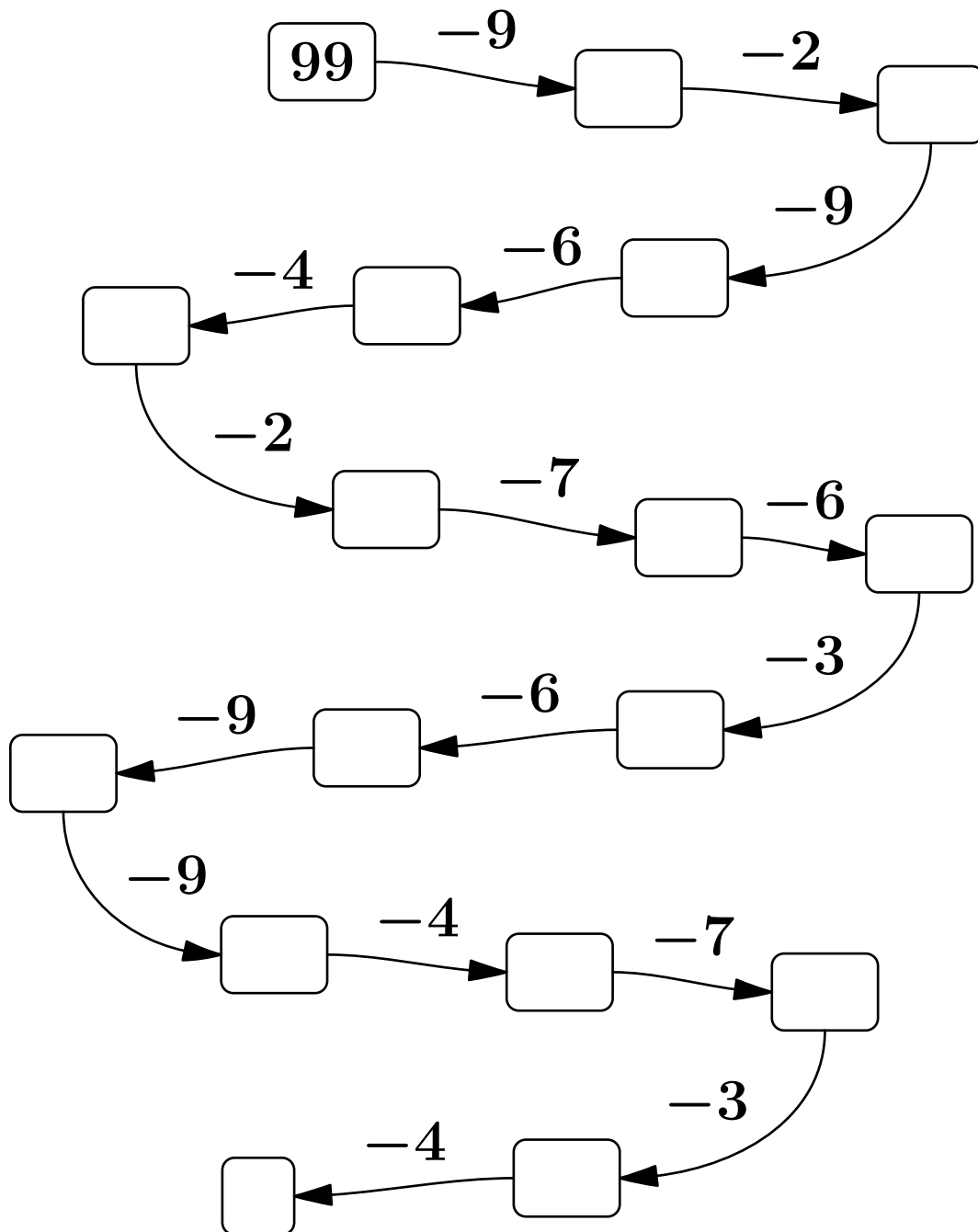


Answer:

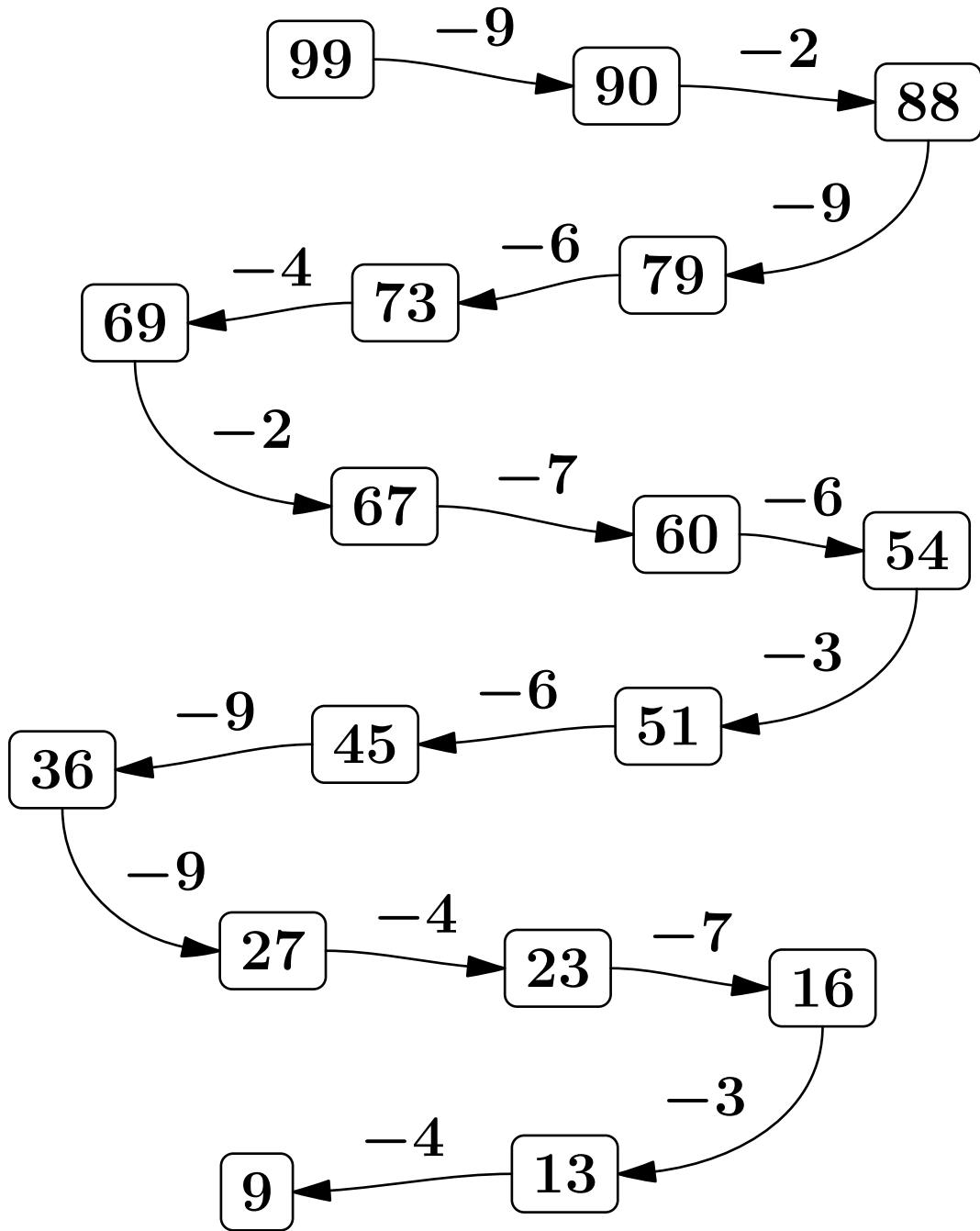


18 Problem – Number snake, subtraction 2–9, 0–100

In the following number snake a number in each box except the first one must be equal to the number from the previous box modified in accordance with the description at the arrow. Enter the appropriate numbers in the empty boxes.

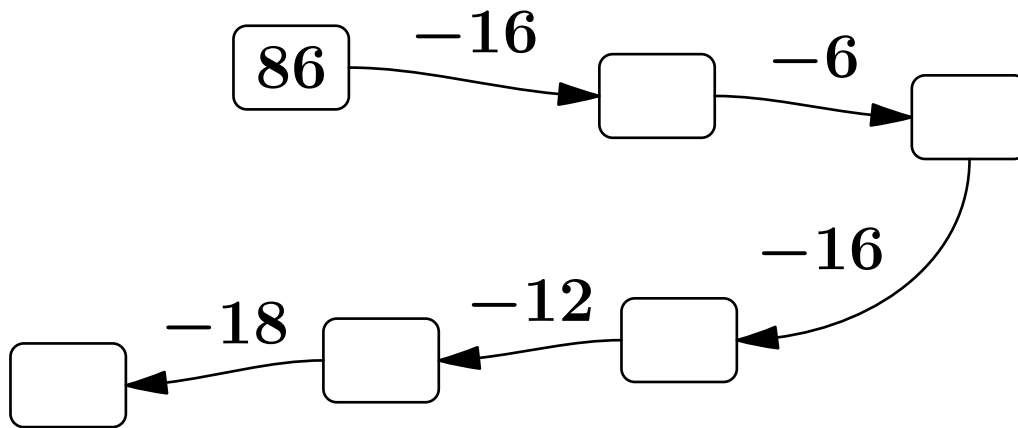


Answer:

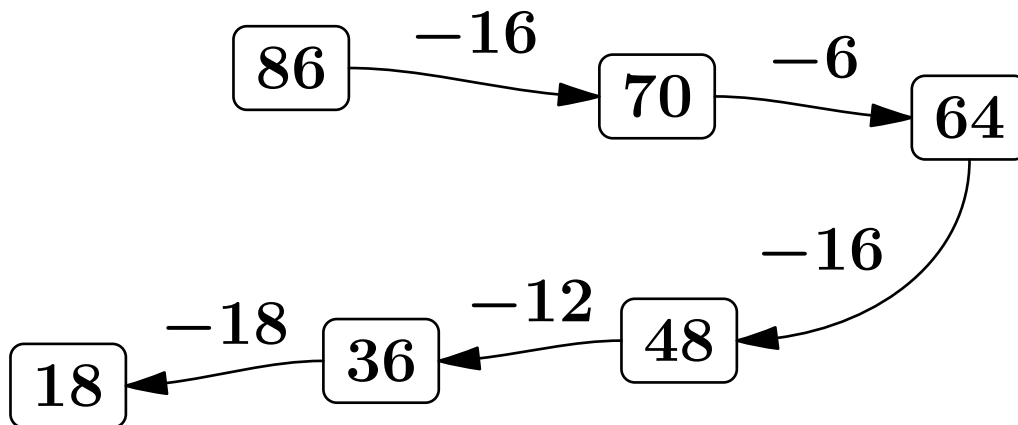


19 Problem – Number snake, subtraction 5–20, 0–100

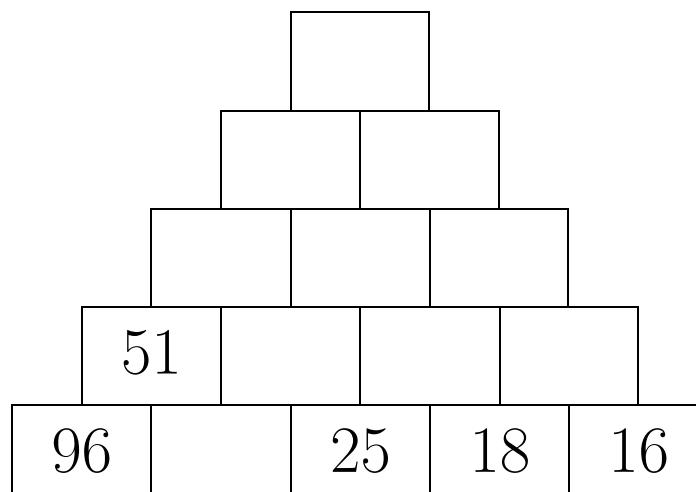
In the following number snake a number in each box except the first one must be equal to the number from the previous box modified in accordance with the description at the arrow. Enter the appropriate numbers in the empty boxes.



Answer:

**20 Problem – Number triangle, subtraction, 0–100**

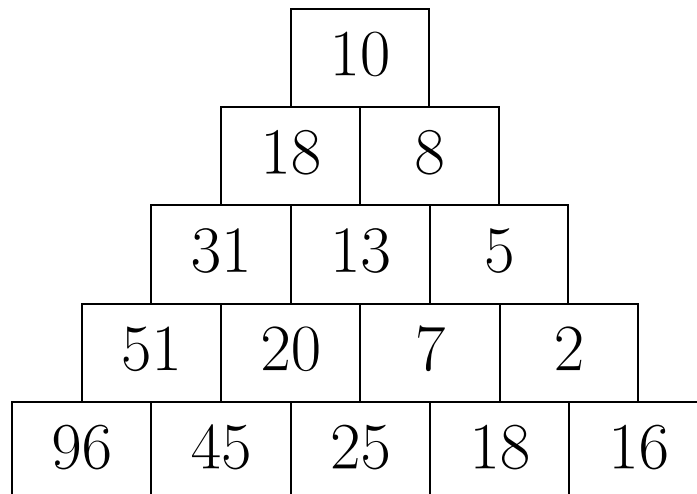
In the following number triangle in each rectangle except those in the lowest row there must be a number that is the difference of the numbers from the two nearest rectangles from the lower row: from the number in the left rectangle the number in the right rectangle is subtracted. Enter the appropriate numbers in the empty rectangles.



Name:

gezmat.com

Answer:



Addition in columns, or + again

21 Problem – Addition in columns, 35

Calculate the following sums.

a)

	1	8
+		5
<hr/>		

b)

	1	9
+	1	5
<hr/>		

Answer:

a)

	1	8
+		5
<hr/>		
	2	3

b)

	1	9
+	1	5
<hr/>		
	3	4

22 Problem – Addition in columns, 35

Calculate the following sums.

a)

	1	5
+		8

b)

	1	9
+	1	3

Answer:

a)

	1	5
+		8
	2	3

b)

	1	9
+	1	3
	3	2

23 Problem – Addition in columns, 55

Calculate the following sums.

a)

	2	7
+	1	9

b)

	3	9
+	1	3

Answer:

a)

	2	7
+	1	9
	4	6

b)

	3	9
+	1	3
	5	2

24 Problem – Addition in columns, 55

Calculate the following sums.

a)

	2	7
+	2	1

b)

	3	9
+	1	4

Answer:

a)

	2	7
+	2	1
	4	8

b)

	3	9
+	1	4
	5	3

25 Problem – Addition in columns, 100

Calculate the following sums.

a)

	5	4
+	3	3

b)

	7	1
+	2	9

Answer:

a)

	5	4
+	3	3
	8	7

b)

	7	1
+	2	9
1	0	0

26 Problem – Addition in columns, 100

Calculate the following sums.

a)

	5	4
+	3	2
<hr/>		

b)

	6	2
+	3	4
<hr/>		

Answer:

a)

	5	4
+	3	2
<hr/>		
	8	6

b)

	6	2
+	3	4
<hr/>		
	9	6

27 Problem – Addition in columns, 150

Calculate the following sums.

a)

	7	1
+	4	8

b)

	9	0
+	5	5

Answer:

a)

	7	1
+	4	8
1	1	9

b)

	9	0
+	5	5
1	4	5

28 Problem – Addition in columns, 150

Calculate the following sums.

a)

	6	5
+	5	4

b)

	7	6
+	6	9

Answer:

a)

	6	5
+	5	4
1	1	9

b)

	7	6
+	6	9
1	4	5

29 Problem – Addition in columns, 1500

Calculate the following sums.

a)

	5	0	3
+	4	8	5

b)

	7	0	1
+	7	8	6

Answer:

a)

	5	0	3
+	4	8	5
	9	8	8

b)

	7	0	1
+	7	8	6
1	4	8	7

30 Problem – Addition in columns, 1500

Calculate the following sums.

a)

	5	4	2
+	4	5	1
<hr/>			

b)

	7	9	0
+	6	9	0
<hr/>			

Answer:

a)

	5	4	2
+	4	5	1
<hr/>			
	9	9	3

b)

	7	9	0
+	6	9	0
<hr/>			
1	4	8	0